

MECHANICAL OPTIONS

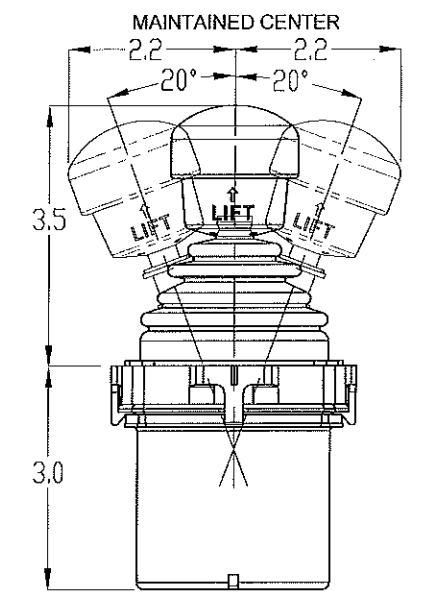
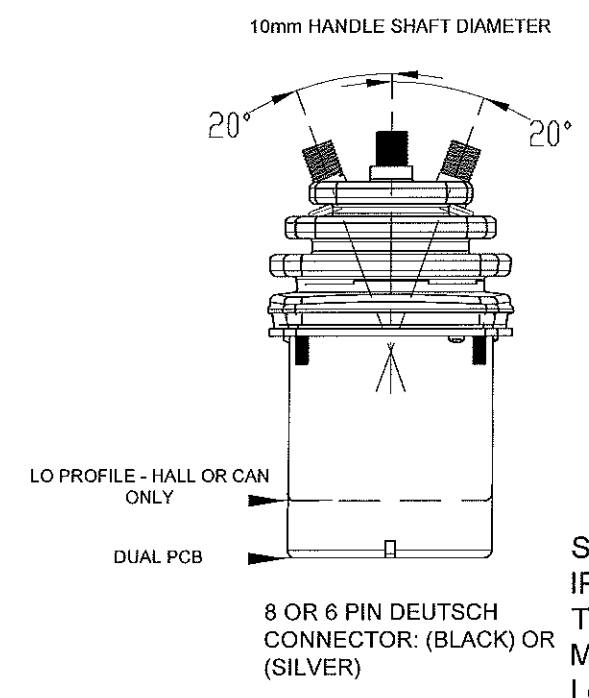
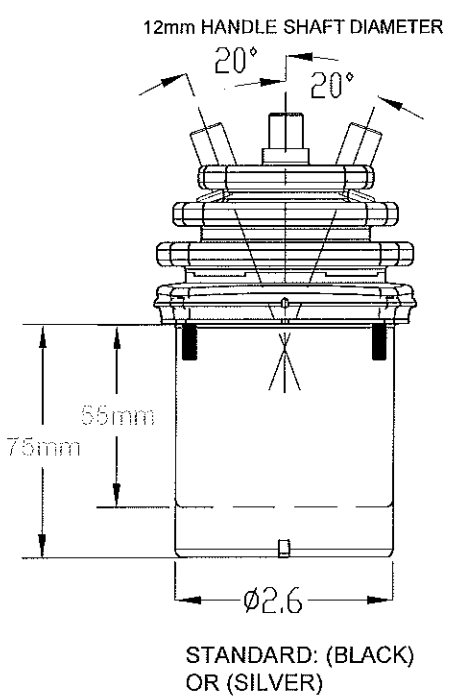
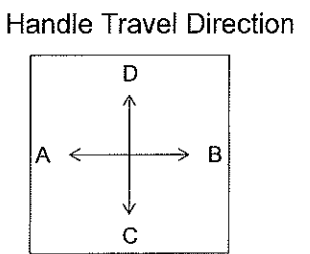
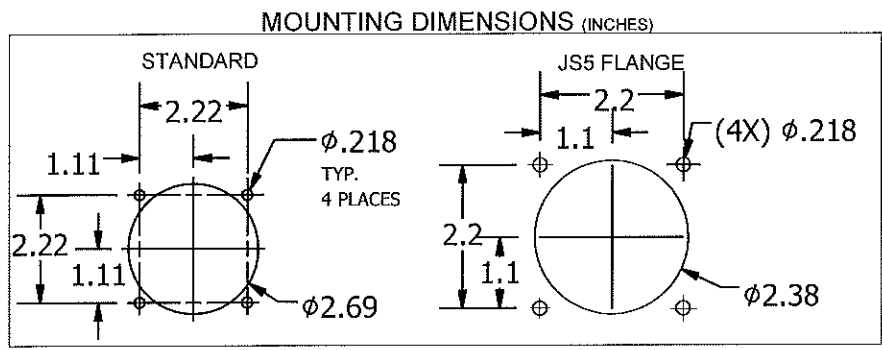
(SEE NOTE)

THIS DRAWING IS THE SOLE PROPERTY OF OEM CONTROLS INC., 10 CONTROLS DRIVE, SHELTON, CT 06484, USA. THIS DOCUMENT CONTAINS OEM PROPRIETARY INFORMATION. WRITTEN PERMISSION TO USE OR DISCLOSE ANY INFORMATION HEREIN MUST BE OBTAINED FROM OEM.

REVISIONS				
ZONE	REV	DESCRIPTION	DATE	APPROVED
	C	S12 ADDED PER ECN#28913	MER*5/3/17	<i>MER</i>

HANDLE TYPE (SEE KNOB & RG OR MG CONFIG SHEET)	
HANDLE SHAFT LENGTH OPTIONS	
10mm DIAMETER SHAFT	
SHAFT LENGTH	OPTIONS
77mm	USED FOR RG4E/B, RG5E/B, RG6E/B, RG9E, KNOB, , MG6, MG9, MG10(L/R), MG11, MG15(L/R), & MG16
97mm	USED FOR FULL FLANGE, REDUCED FLANGE, OR FLANGELESS RG HANDLE
117mm	USED FOR SPECIAL HANDLES
12mm DIAMETER SHAFT	
SHAFT LENGTH	OPTIONS
77mm	ONLY FOR MG HANDLES

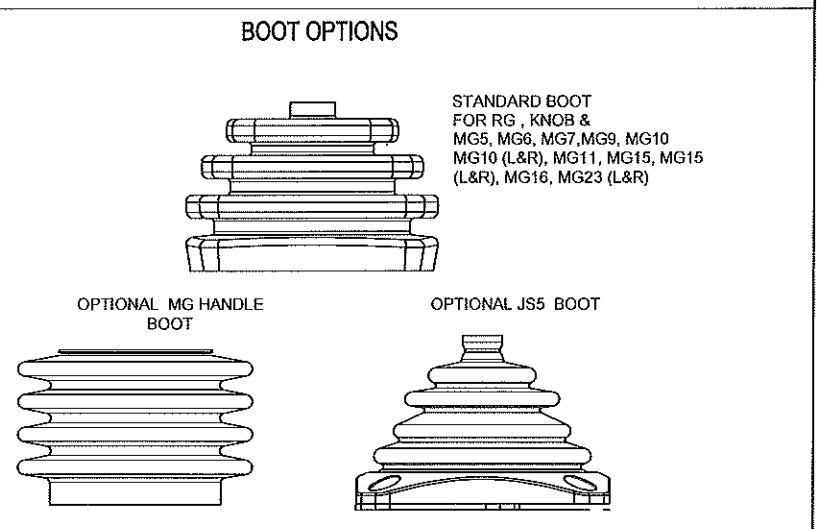
HANDLE OPERATION	
A-B AXIS	C-D AXIS
SPRING RETURN	
HEAVY DUTY SPRING RETURN	
GATE OPTIONS	
CROSS GATE	
SINGLE AXIS	
SIMULTANEOUS*	
*AVAILABLE IN 20°, 18°, OR 15°	



Specs:
 IP rating: IP67
 Temperature Rating: -40 TO 70°C
 Mechanical life: 8 million cycles
 Load max: 250 lb* with 10mm shaft
 Max load with maintain center: 185lb
 EMC test per EN61000-4-3:2006 and ISO 11452-5

ELECTRONIC CONFIGURATIONS

Name	Power Supply Range	Output Type	#Digital Inputs	#Analog Inputs	#Sourcing Digital Outputs	#Sinking Digital Outputs (thumper)	Handle Multiplex (Mux) Interface	Friction Hold Capable	ID Resistor Capable	Notes
OCI-63	9V - 32V	CANopen (DS401), J1939	8*	4*	0	0	Yes	No	No	*Four digital-only inputs plus four inputs that are either digital or analog.
OCI-66	9V - 32V	CANopen (DS401), J1939	8*	6*	0	1	Yes	No	No	*Two digital-only inputs plus six inputs that are either digital or analog. (Two board set)
OCI-6	9V - 32V	CANopen (DS401), J1939	4*	1*	0	0	Yes	No	Yes	*Three digital-only inputs plus one input that is either digital or analog.
OCI-61	9V - 32V	CANopen (DS401), J1939	8	0	4	0	No	No	Yes	JS9 mount with larger JS8 enclosure
OCI-64	9V - 32V	CANopen (DS401), J1939	5*	0	0	0	No	No	No	*Three digital-only inputs plus two inputs that are either digital or PWM. (Board designed for hi-voltage electric field environment)

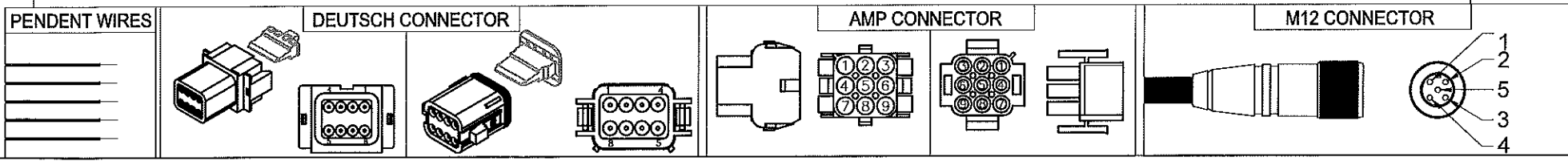


Wiring Options: Pendent wires (6-12" Std) with Deutsch connectors, AMP connectors standard or Customer Specific.
 Direct can enclosure connector mount: 75mm or 103mm only, Deutsch or AMP.

Power Supply Range	Output Type	#Digital Inputs	#Digital Outputs	#Analog Outputs	Analog Output Range	Ratiometric Output Capable	Friction Hold Capable	Notes
4.5V - 7.5V	VOLTAGE OUTPUT	0	0	2	0V - 6.75V*	Yes	No	*Actual Output values and curve shape set by software. Analog Output tolerances per chart on right.
9V - 30V	VOLTAGE OUTPUT	2	4	2	0V to Vbat-1V*	Yes	No	
4.5V - 7.5V	VOLTAGE OUTPUT	0	0	2	0V - 7.5V	Yes	No	
9V - 30V	PLC CURRENT OUTPUT	0	4	2	4mA to 20mA*	No	No	

Analog Output	Tolerance
0V	(+0.1V), -0V
0V < OUT ≤ 4.5V	+/-0.1V
4.5V < OUT ≤ 6V	+/-0.15V
6V < OUT ≤ 8V	+/-0.2V
8V < OUT ≤ 10V	+/-0.25V
10V < OUT ≤ 12V	+/-0.3V
12V < OUT ≤ 14V	+/-0.35V
14V < OUT ≤ 16V	+/-0.4V
16V < OUT ≤ 18V	+/-0.45V
4mA ≤ OUT ≤ 12mA	+/-0.25mA
12mA < OUT ≤ 20mA	+/-0.50mA

Wiring Options: Pendent: Deutsch connectors, AMP connectors standard or Customer Specific.



DRAWN BY	MER	DATE	12/5/16
CHECKED	DDO		12/5/16
APVD ENG.			
APVD DESN			
APVD SALES			
PROJECTION:			

10 Controls Drive - Shelton, CT 06484
 Phone: (203) 929-8431 Fax: (203) 929-3867

PAGE 1 OF 3
 HJS9 CATALOG
 MECHANICAL

PART NO.	DWG NO. B29747	REV C
SCALE NTS	SHEET 1 OF 3	SIZE B

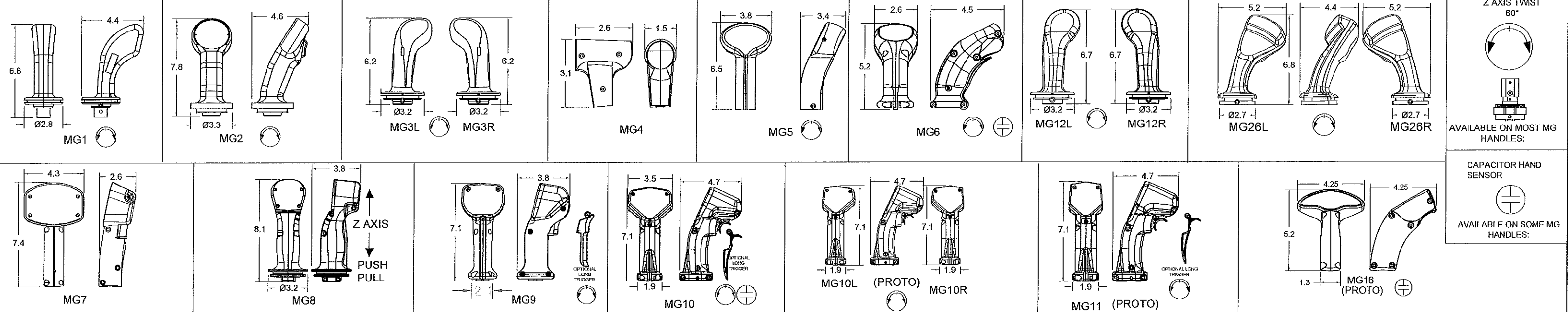
MG HANDLE OPTIONS

ALL DIMENSIONS SHOWN ARE IN INCHES UNLESS OTHERWISE STATED

THIS DRAWING IS THE SOLE PROPERTY OF OEM CONTROLS INC., 10 CONTROLS DRIVE, SHELTON, CT 06484, USA. THIS DOCUMENT CONTAINS OEM PROPRIETARY INFORMATION. WRITTEN PERMISSION TO USE OR DISCLOSE ANY INFORMATION HEREIN MUST BE OBTAINED FROM OEM.

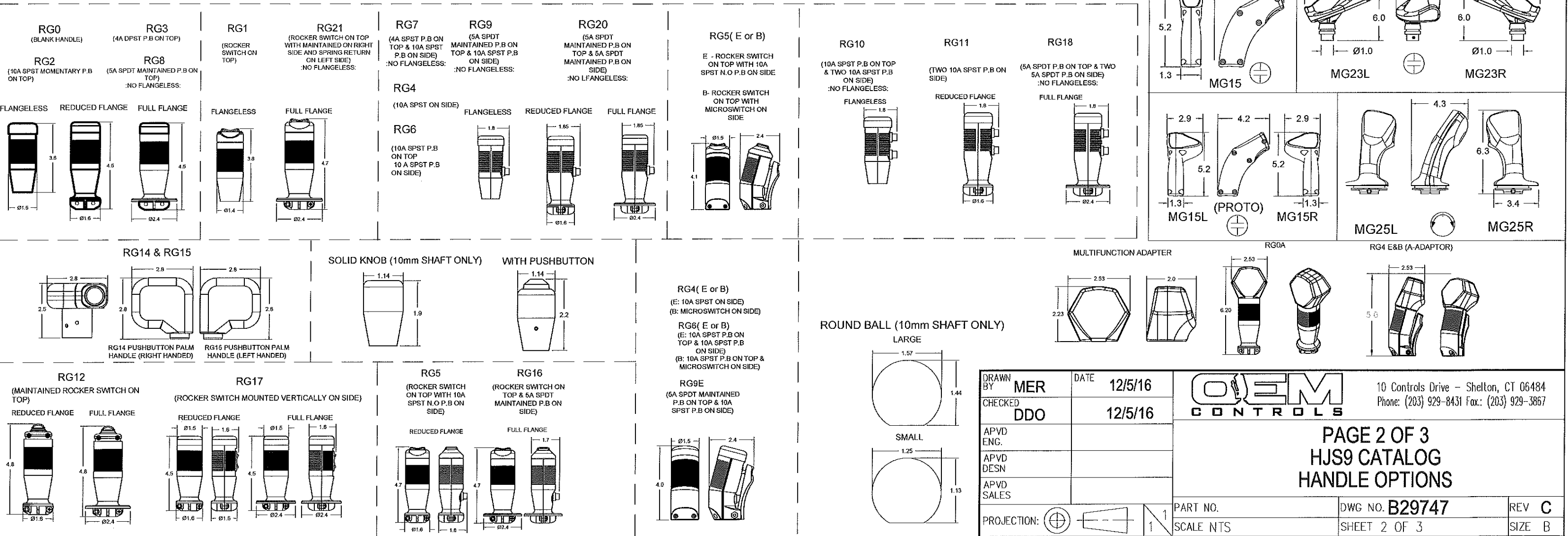
REVISIONS

ZONE	REV	DESCRIPTION	DATE	APPROVED
-	C	S12 ADDED PER ECN#28913	MER*5/3/17	<i>[Signature]</i>



RG HANDLE OPTIONS

ALL RG HANDLES ARE AVAILABLE IN FLANGELESS, REDUCED, OR FULL FLANGE CONFIGURATIONS



DRAWN BY	MER	DATE	12/5/16
CHECKED	DDO	DATE	12/5/16
APVD ENG.			
APVD DESN			
APVD SALES			
PROJECTION:			

10 Controls Drive - Shelton, CT 06484
Phone: (203) 929-8431 Fax: (203) 929-3867

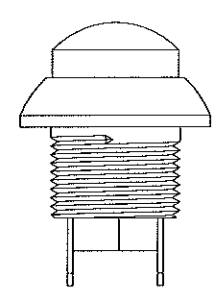
PAGE 2 OF 3
HJS9 CATALOG
HANDLE OPTIONS

PART NO.	DWG NO. B29747	REV C
SCALE NTS	SHEET 2 OF 3	SIZE B

THIS DRAWING IS THE SOLE PROPERTY OF OEM CONTROLS INC., 10 CONTROLS DRIVE, SHELTON, CT 06484, USA. THIS DOCUMENT CONTAINS OEM PROPRIETARY INFORMATION. WRITTEN PERMISSION TO USE OR DISCLOSE ANY INFORMATION HEREIN MUST BE OBTAINED FROM OEM.

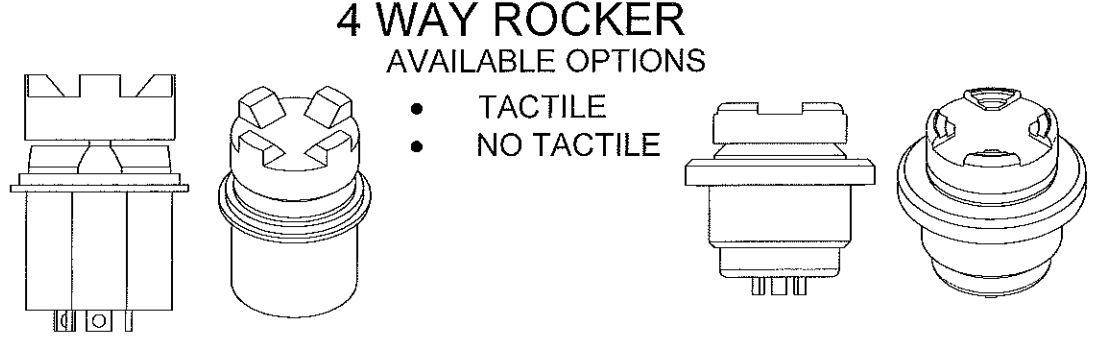
REVISIONS				
ZONE	REV	DESCRIPTION	DATE	APPROVED
	C	S12 ADDED PER ECN#28913	MER*5/3/17	

STANDARD COMPONENTS SHOWN. OTHERS AVAILABLE UPON REQUEST



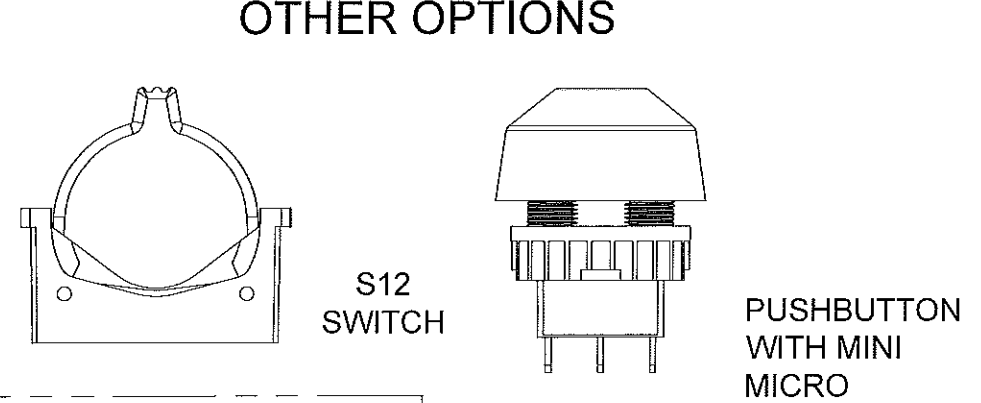
RAISED DOME PUSHBUTTON (SPST)

- AVAILABLE COLORS
- RED
 - BLACK
 - YELLOW
 - WHITE
 - GRAY
 - ORANGE



4 WAY ROCKER
AVAILABLE OPTIONS

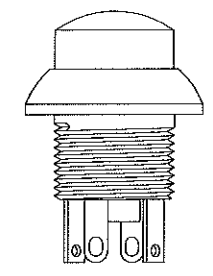
- TACTILE
- NO TACTILE



OTHER OPTIONS

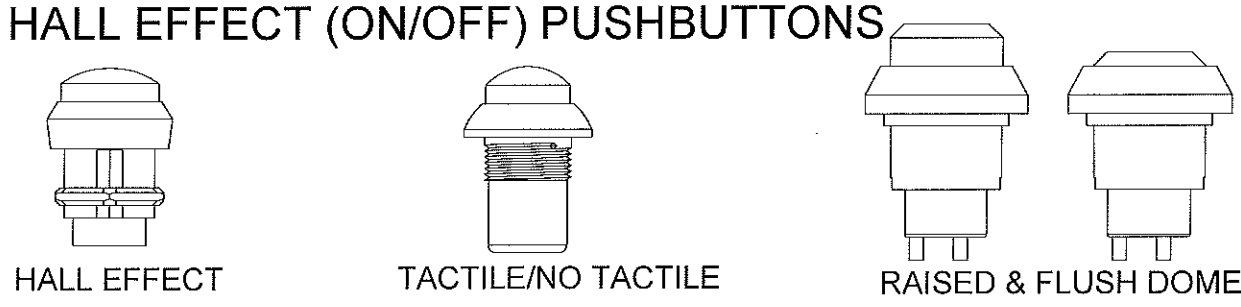
S12 SWITCH

PUSHBUTTON WITH MINI MICRO



RAISED DOME PUSHBUTTON (SPDT)

- AVAILABLE COLORS
- WHITE
 - YELLOW
 - GRAY
 - ORANGE
 - BLUE
 - GREEN

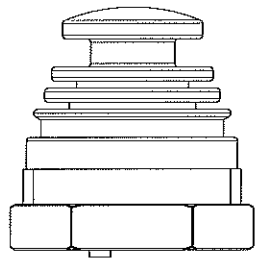


HALL EFFECT (ON/OFF) PUSHBUTTONS

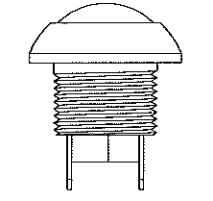
HALL EFFECT

TACTILE/NO TACTILE

RAISED & FLUSH DOME

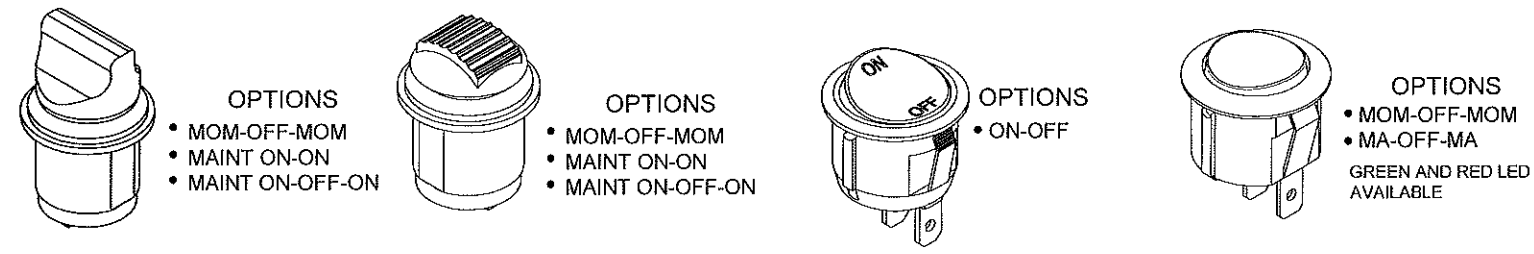


JS20 (SEE MAIN CATALOG)



FLUSH DOME PUSHBUTTON

- AVAILABLE COLORS
- YELLOW
 - RED
 - BLUE
 - GREEN
 - BLACK



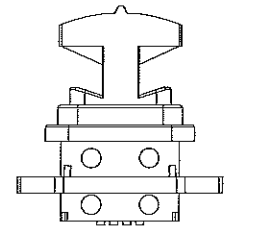
ROCKER SWITCHES

- OPTIONS
- MOM-OFF-MOM
 - MAINT ON-ON
 - MAINT ON-OFF-ON

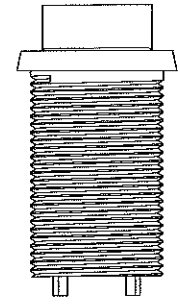
- OPTIONS
- MOM-OFF-MOM
 - MAINT ON-ON
 - MAINT ON-OFF-ON

- OPTIONS
- ON-OFF

- OPTIONS
- MOM-OFF-MOM
 - MA-OFF-MA
- GREEN AND RED LED AVAILABLE

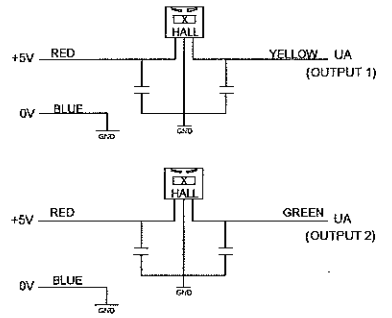


S9 SWITCH (SEE MAIN CATALOG)

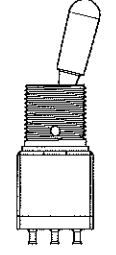


PROPORTIONAL PUSHBUTTON

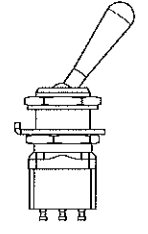
- AVAILABLE COLORS
- WHITE
 - BLACK



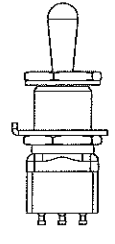
OUTPUT 1: 0.5V - 4.5V
OUTPUT 2: 4.5V - 0.5V



MOM-OFF-MOM

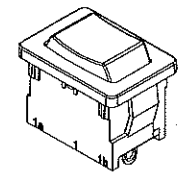


MAINT ON-ON

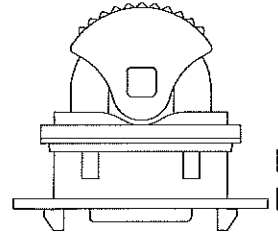


MAINT ON-OFF-ON

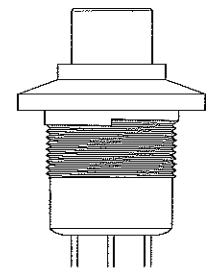
TOGGLE SWITCHES



- OPTIONS
- MOM-MOM
 - MAINT-OFF-MAINT



HMS10 (SEE MAIN CATALOG)



MAINTAINED PUSHBUTTON

AVAILABLE COLORS

- BLACK
- WHITE

DRAWN BY	MER	DATE	6/20/16
CHECKED	DDO		12/5/16
APVD ENG.			
APVD DESN			
APVD SALES			
PROJECTION:			



10 Controls Drive - Shelton, CT 06484
Phone: (203) 929-8431 Fax: (203) 929-3867

PAGE 3 OF 3
HJS9 CATALOG
HANDLE COMPONENTS

PART NO.	DWG NO. B29747	REV C
SCALE NTS	SHEET 3 OF 3	SIZE B