

THIS DRAWING IS THE SOLE PROPERTY OF OEM CONTROLS INC., 10 CONTROLS DRIVE, SHELTON, CT 06484, USA. THIS DOCUMENT CONTAINS OEM PROPRIETARY INFORMATION. WRITTEN PERMISSION TO USE OR DISCLOSE ANY INFORMATION HEREIN MUST BE OBTAINED FROM OEM.

DWG.NO

A10042

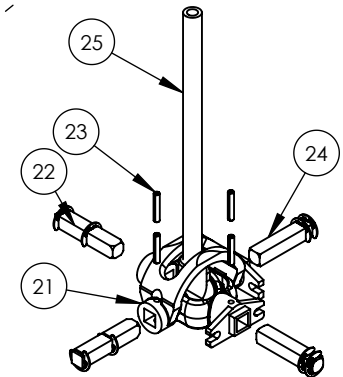
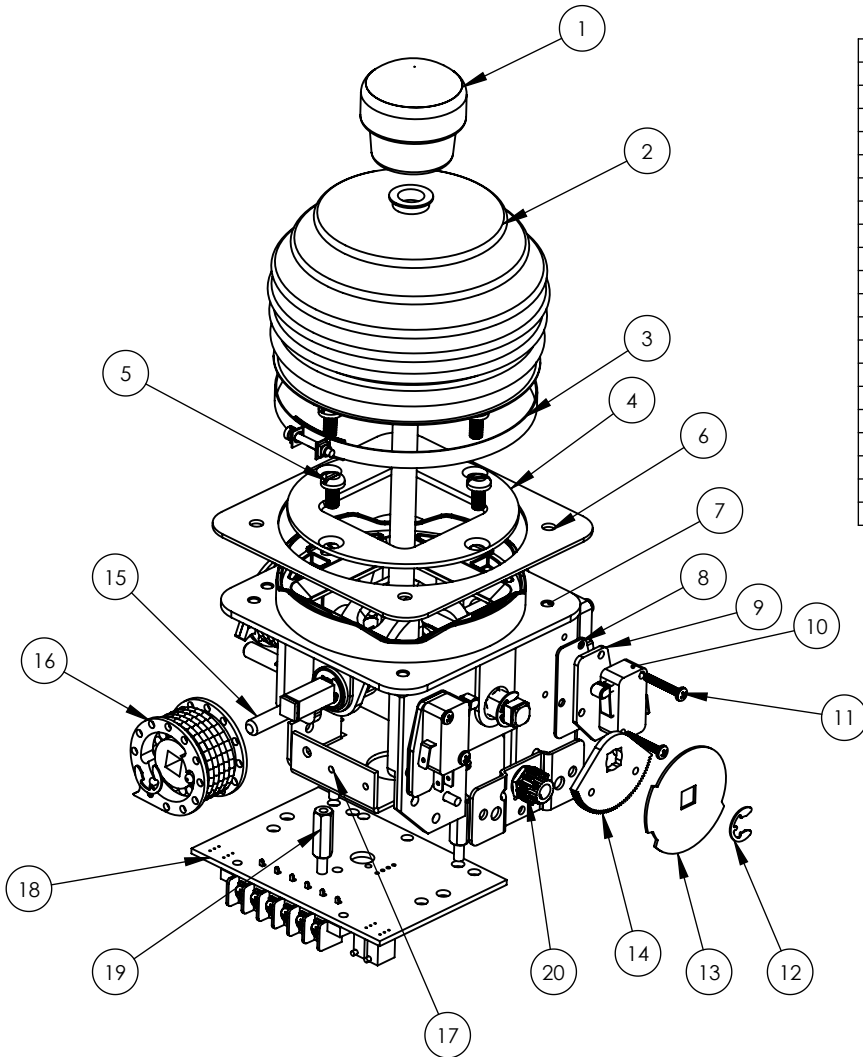
SHT 1 OF 2

REV C

REVISIONS

REV	DESCRIPTION	DATE	APPROVED
C	UPDATED PER ECN#3728	WAR 9/26/16	

#	PART #	DESCRIPTION	QTY
1	A/121	HANDLE	1
2	C/259	BOOT	1
3	C/66	BOOT CLAMP	1
4	C/430	GATE	1
5	T/48	5mm SCREW	4
6	C/65	CORK GASKET	1
7	C/1B	CASTING ( SEE BOM)	1
8	C/129	INSULATOR	4
9	C/563	INSULATOR	4
10	V/11	MICROSWITCH	4
11	A/75	4-40 SCREW	8
12	C/137	"E" CLIP	8
13	SEE BOM	CAM	2
14	C/101	DRIVE GEAR	2
15	CC/43	SPRING RETURN BOLT	2
16	C/28	SPRING RETURN	2
17	C/319	BRACKET	1
18	SEE BOM	PCB	1
19	A/20	STAND OFFS	3
20	C/102	SLAVE GEAR	2



#	PART #	DESCRIPTION	QTY
21	C/2	GIMBLE	1
22	C/29	SPRING RETURN SHAFT	2
23	C/3	PIN	4
24	SEE BOM	CAM SHAFT	2
25	SEE BOM	HANDLE SHAFT	1

<b>MATERIAL:</b>	UNLESS OTHERWISE SPECIFIED		DRAWN BY	AJS	DATE	DDO	<p>10 Controls Drive—Shelton, CT 06484 Phone: (203)929-8431 Fax: (203)929-3867</p>								
	<table border="1"> <thead> <tr> <th>TOLERANCE</th> <th>ANGLES</th> </tr> </thead> <tbody> <tr> <td>.X ±.1</td> <td>X ±1°</td> </tr> <tr> <td>.XX ±.01</td> <td>X ±.5°</td> </tr> <tr> <td>.XXX ±.005</td> <td></td> </tr> <tr> <td>.XXXX ±.0010</td> <td></td> </tr> </tbody> </table>		TOLERANCE	ANGLES	.X ±.1	X ±1°		.XX ±.01	X ±.5°	.XXX ±.005		.XXXX ±.0010		CHECKED BY	DDO
TOLERANCE	ANGLES														
.X ±.1	X ±1°														
.XX ±.01	X ±.5°														
.XXX ±.005															
.XXXX ±.0010															
<b>FINISH:</b>	DIMENSIONAL UNITS: UNDIMENSIONED RADII: BREAK ALL SHARP CORNERS EDGES & BURRS.		APVD BY			PART NO. _____ SCALE _____									
			APVD DESN			DWG NO. <b>A10042</b> SHEET 1 OF 2	REV <b>C</b> SIZE <b>A</b>								

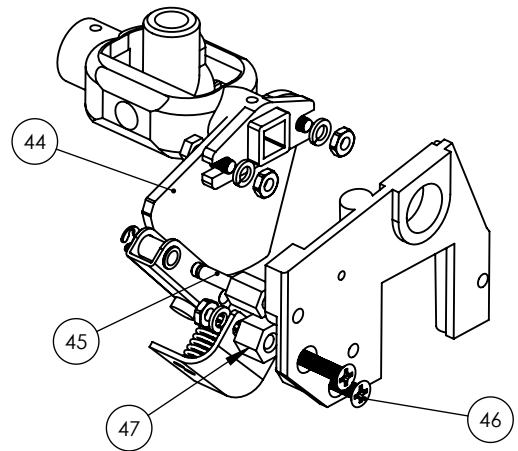
2

1

THIS DRAWING IS THE SOLE PROPERTY OF OEM CONTROLS INC., 10 CONTROLS DRIVE, SHELTON, CT 06484, USA. THIS DOCUMENT CONTAINS OEM PROPRIETARY INFORMATION. WRITTEN PERMISSION TO USE OR DISCLOSE ANY INFORMATION HEREIN MUST BE OBTAINED FROM OEM.

**REVISIONS**

REV	DESCRIPTION	DATE	APPROVED
<b>C</b>	<b>UPDATED PER ECN#3728</b>	WAR 9/26/16	

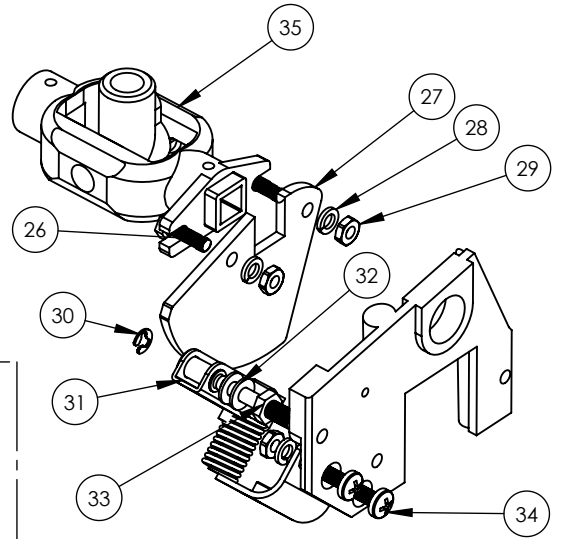


OPTION USING POT ASSEMBLY

#	PART #	DESCRIPTION	QTY
44	SEE BOM	CAM	1
45	C/273	STAND OFF	1
46	T/14	SCREW	2
47	C/322	STAND OFF	2

**OPTION: ADJUSTABLE CAM ASSEMBLY**

#	PART #	DESCRIPTION	QTY
36	C/111	DISC W/HOLES	1
37	C/112	SPRING WASHER	1
38	C/114	SPRING	1
39	C/111	DISC SMALL HOLES	1
40	C/160	CAM	1
41	C/113	SPACER	1
42	C/109	CAM RETAINER	1
43	C/81	SHAFT	1



OPTION: WITHOUT POT ASSEMBLY

#	PART #	DESCRIPTION	QTY
26	C/87	BOLT	2
27	C/14	DETENT	1
28	C/123	SPLIT WASHER	4
29	T/69	NUT	4
30	A/71	E-CLIP	1
31	CC/41	DETENT ARM	1
32	C/46	SPACER	2
33	C/125	DETENT BOLT	1
34	T/30	SCREW	2
35	SEE BOM	HANDLE	1

**MATERIAL:**

**FINISH:**

UNLESS OTHERWISE SPECIFIED	
<b>TOLERANCE</b>	<b>ANGLES</b>
.X ±.1	.X ±.1°
.XX ±.01	.X ±.5°
.XXX ±.005	
.XXXX ±.0010	
DIMENSIONAL UNITS:	
UNDIMENSIONAL RADII:	
BREAK ALL SHARP CORNERS EDGES & BURRS.	

DRAWN BY **AJS** DATE **DDO**

CHECKED BY **DDO** DATE **5/30/00**

APVD BY

APVD DESN

APVD SALES

PROJECTION:



**PARTS LIST FOR JS3 CONTROLLER**

PART NO.	DWG NO. <b>A10042</b>	REV <b>C</b>
SCALE	SHEET <b>2 OF 2</b>	SIZE <b>A</b>