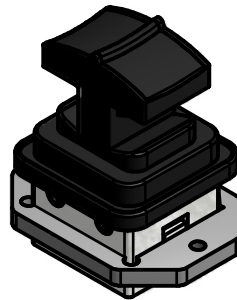
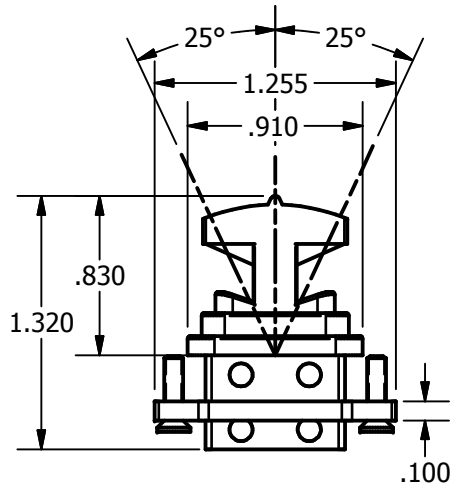


THIS DRAWING IS THE SOLE PROPERTY OF OEM CONTROLS INC., 10 CONTROLS DRIVE, SHELTON, CT 06484, USA. THIS DOCUMENT CONTAINS OEM PROPRIETARY INFORMATION. WRITTEN PERMISSION TO USE OR DISCLOSE ANY INFORMATION HEREIN MUST BE OBTAINED FROM OEM.

REVISIONS

REV	DESCRIPTION	DATE	APPROVED
A	ORIGINAL	RHJ*1/24/14	

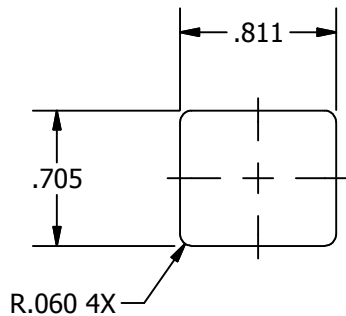


SPECS:

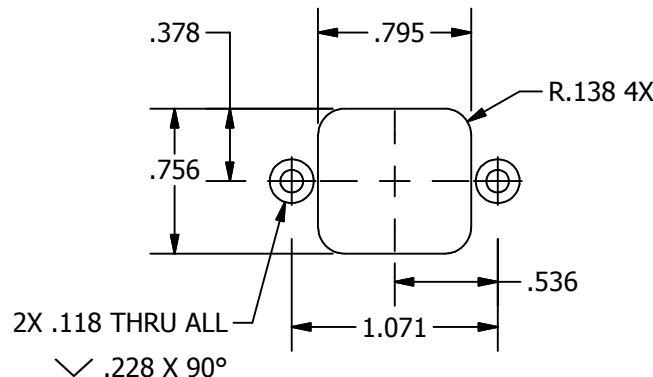
- HALL EFFECT
- 5V SUPPLY
- 0.5V TO 4.5V
- 5 MILLION MECH OPERATION
- OPERATING FORCE UP TO 3.5N (0.79LB)
- OPERATING TEMP -40°C UP +80°C
- IP67

OPTIONS:

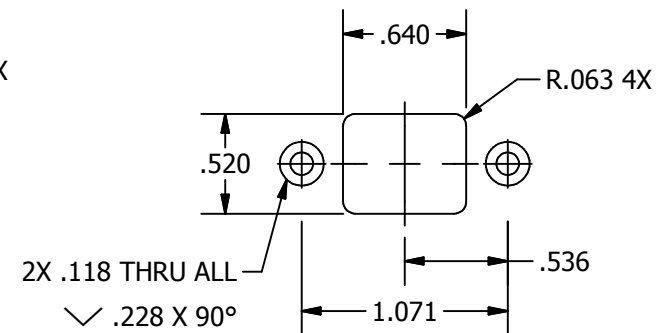
- PADDLE (TOGGLE)
- WHEEL
- ROCKER



TOP PANEL MOUNTING



BELOW PANEL MOUNTING



LOW PROFILE MOUNTING

MATERIAL:

*

UNLESS OTHERWISE SPECIFIED

TOLERANCE	ANGLES
.X ±.1	X ±1'
.XX ±.01	.X ±.5'
.XXX ±.005	
.XXXX ±.0010	

DIMENSIONAL UNITS: **INCHES**

UNDIMENSIONED RADII: *

BREAK ALL SHARP CORNERS, EDGES & BURRS.

DRAWN BY **RHJ**

DATE **1/24/14**

CHECKED BY

APVD ENG.

APVD DESN

APVD SALES

PROJECTION:



10 Controls Drive - Shelton, CT 06484
Phone: (203) 929-8431 Fax.: (203) 929-7546

**SINGLE AXIS CONTROLLER
STANDARD DIMENSION
AND SPECIFICATIONS**

PART NO. AA/912	DWG NO. A27373	REV A
SCALE N/A	SHEET 1 OF 1	SIZE A