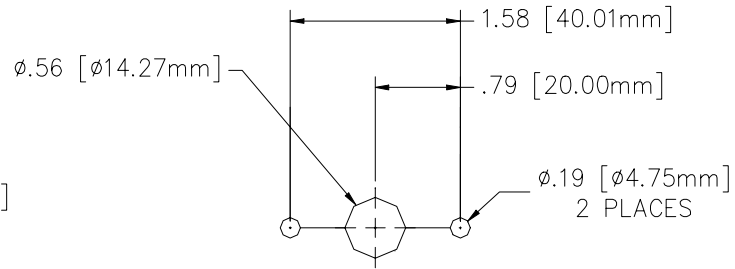
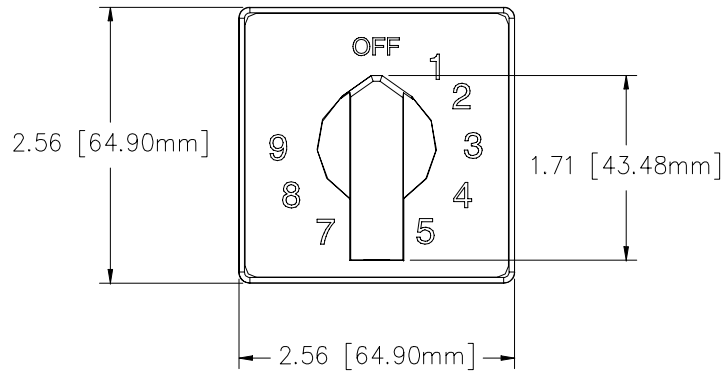


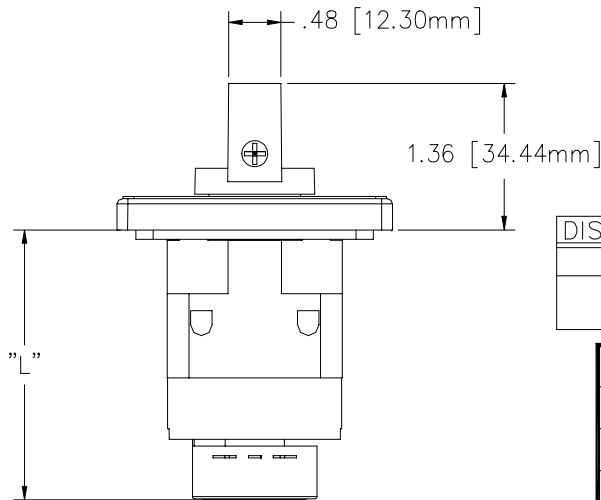
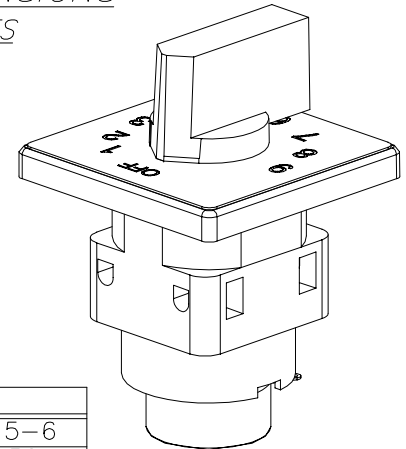
THIS DRAWING IS THE SOLE PROPERTY OF OEM CONTROLS INC., 10 CONTROLS DRIVE, SHELTON, CT 06484, USA. THIS DOCUMENT CONTAINS OEM PROPRIETARY INFORMATION. WRITTEN PERMISSION TO USE OR DISCLOSE ANY INFORMATION HEREIN MUST BE OBTAINED FROM OEM.

REVISIONS

REV	DESCRIPTION	DATE	APPROVED
A	REDRAWN & DIM IN AUTOCAD 3D	AJS 4/28/00	



*MOUNTING DIMENSIONS
FOR ALL RS TYPES*



DISTANCE	CONTACTS		
NO.	1-2	3-4	5-6
"L"	2.50 63.50mm	3.00 76.20mm	3.50 88.90mm

DRAWN BY: AJS	DATE: 4/28/00
CHECKED:	
APVD ENG.	
APVD DESN	
APVD SALES	



10 Controls Drive - Shelton, CT 06484
Phone: (203) 929-8431 Fax: (203) 929-7546

**RS ROTARY SWITCH
DIMENSIONS**

PROJECTION:	
-------------	--

PART NO.	DWG NO. A5248	REV A
SCALE N/A	SHEET 1 of 2	SIZE A