

## Rotary Output Selectors– Types RS1 / RS2



The RS1 and RS2 Rotary Output Selectors combine a rotary switch, on/off and direction selecting contacts, and a UFO (Ultra Feathering Operation) circuit board. They provide maintained (hands-off) output signal, including dither, to a proportional, electrohydraulic valve or stroker.

The UFO has a current controlled output and is equipped with a threshold and maximum output trim potentiometer. IRS (Integrated Ramp System), Dual Range and dual Maximum Output (RS2 only) options are available. See the UFO-9 Series catalog sheet for more information and options. The electronic circuit board is mounted directly to the rear of the rotary switch, which mounts through the panel with two mounting screws.

### Options:

- **IP 65 Protection** – Mounting/nameplate assembly only: RS1 & RS2
- **UFO Electronics** – see UFO section
- **DigiSensor electronics for use with SuperFLEX product line**

### Features:

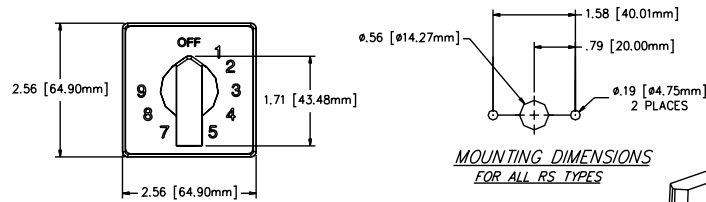
- **Streamline Knob**
- **Compact & Rugged** – Limited moving parts for longer switch life, direct drive of shaft driven only.
- **Rotation Direction** – Single (RS1): 270°; Dual (RS2): 150° in each direction



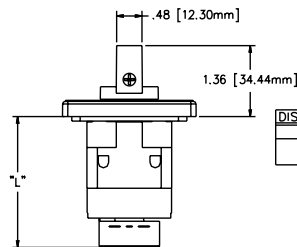
Available with UFO electronic module for precise electrohydraulic valve control

# RS Series Rotary Output Selectors

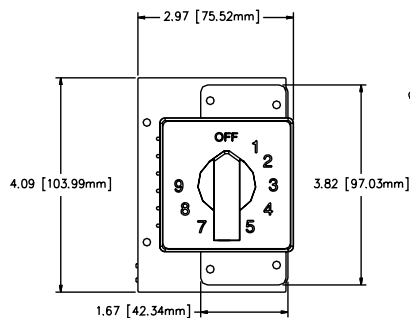
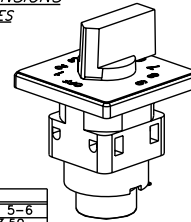
## Approximate Overall Dimensions



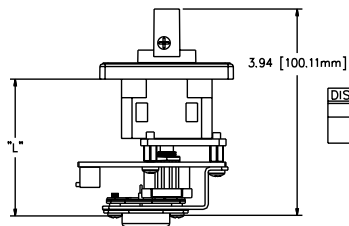
MOUNTING DIMENSIONS  
FOR ALL RS TYPES



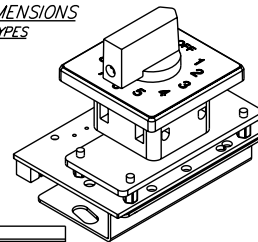
DISTANCE	CONTACTS		
	NO. 1-2	3-4	5-6
"L"	2.50 63.50mm	3.00 76.20mm	3.50 88.90mm



MOUNTING DIMENSIONS  
FOR ALL RS TYPES



DISTANCE	CONTACTS		
	NO. 1-2	3-4	5-6
"L"	2.61 66.29mm	3.11 78.99mm	3.61 91.69mm



### Technical Data:

- **Mechanical Life:** > 1 million cycles
- **Operating Temperature:** -40° to +70°C
- **Current Rated Switches:** Rating @ 600VAC, 16amps resistive, 10amps inductive  
Rating @ 600VAC, 20amps resistive, 16amps Inductive
- **Degree of Protection:** IP65 above panel

**WARNING:** It is the purchaser's responsibility to determine the suitability of any OEM Controls product for an intended application, and to insure that it is installed and guarded in accordance with all federal, state, local and private safety and health regulations, codes and standards.

Due to the unlimited variety of machines, vehicles and equipment on which our controls are used, and the numerous standards which are frequently the subject of varying interpretation, it is impossible for OEM Controls personnel to provide expert advice regarding the suitability of a given controller for a specific application. The flexibility of our products allows us to offer thousands of custom configurations. We can advise you of the various features that are available and you can examine models to see what meets your needs. We believe our customers' engineering departments should be the qualified experts in their own product field. If the product will be used in a safety critical application, the customer must undertake appropriate testing and evaluation to prevent injury to the ultimate user.

Should you have any questions or if any of the above warning is unclear, please contact OEM Controls at 10 Controls Drive, Shelton, CT 06484, FAX: 203.929.3867, TEL: 203.929.8431.



10 Controls Drive • Shelton, CT 06484

Phone: 203.929.8431

Telefax: 203.929.3867

Internet: [www.oemcontrols.com](http://www.oemcontrols.com)