

8

7

6

5

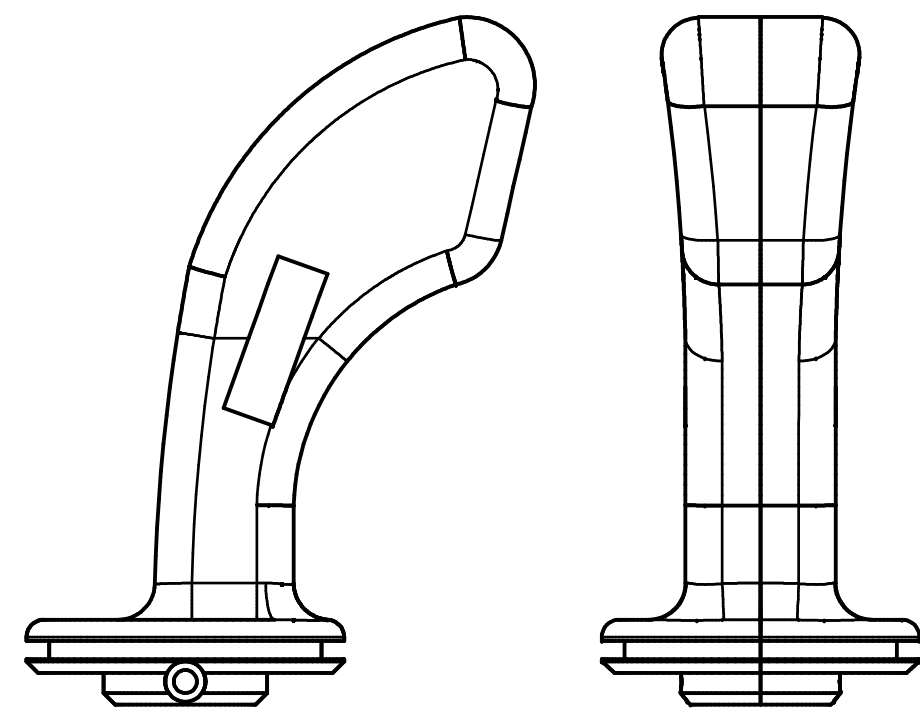
4

3

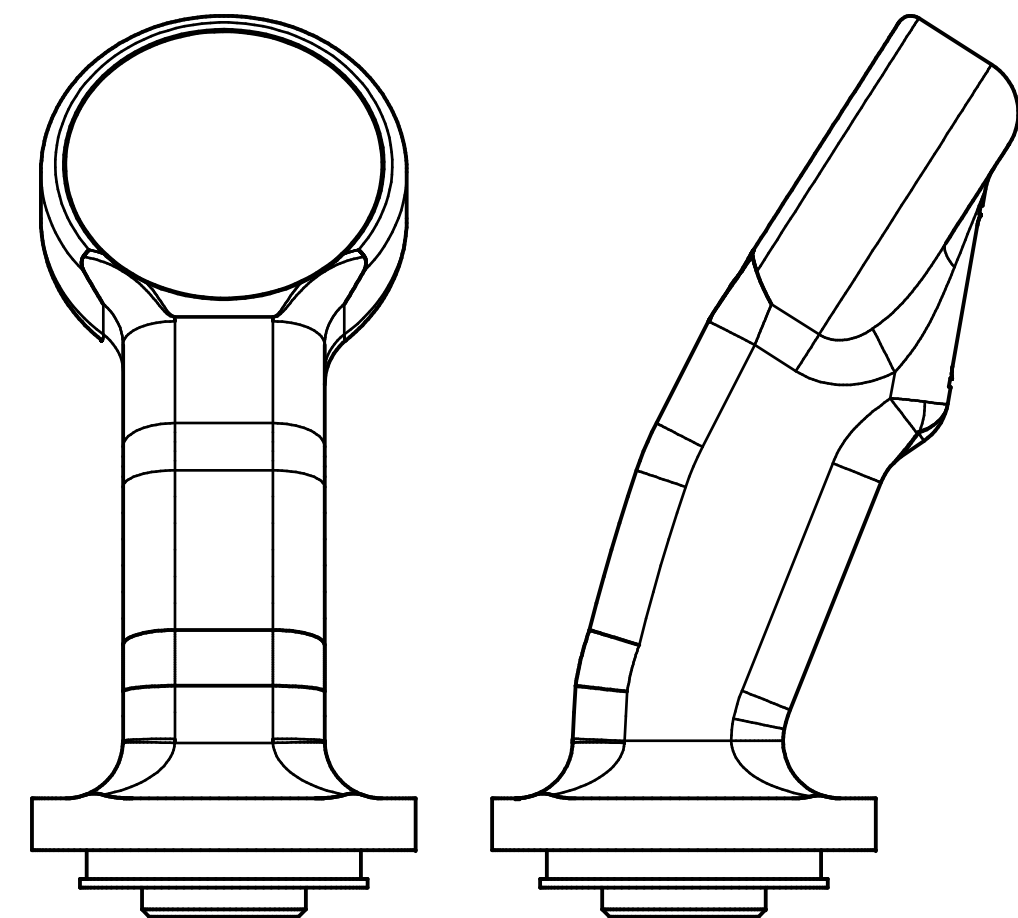
2

THIS DRAWING IS THE SOLE PROPERTY OF OEM CONTROLS INC., 10 CONTROLS DRIVE, SHELTON, CT 06484, USA. THIS DOCUMENT CONTAINS OEM PROPRIETARY INFORMATION. WRITTEN PERMISSION TO USE OR DISCLOSE ANY INFORMATION HEREIN MUST BE OBTAINED FROM OEM.

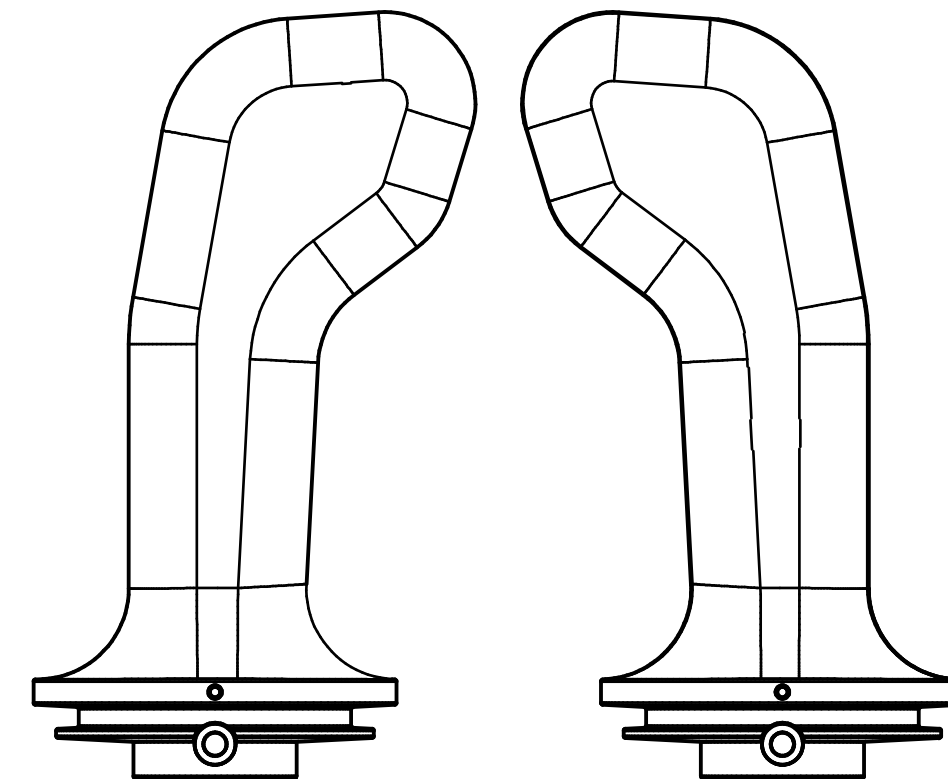
REVISIONS				
ZONE	REV	DESCRIPTION	DATE	APPROVED
	A	ORIGINAL	DOC 3/9/09	DDO 3/9/09
	B	ADDED HANDLES PER ENC#21545	WAR 11/8/10	DDO*11/11/10
	C	ADDED HANDLES PER ECN# 26349	RHJ*5/5/14	



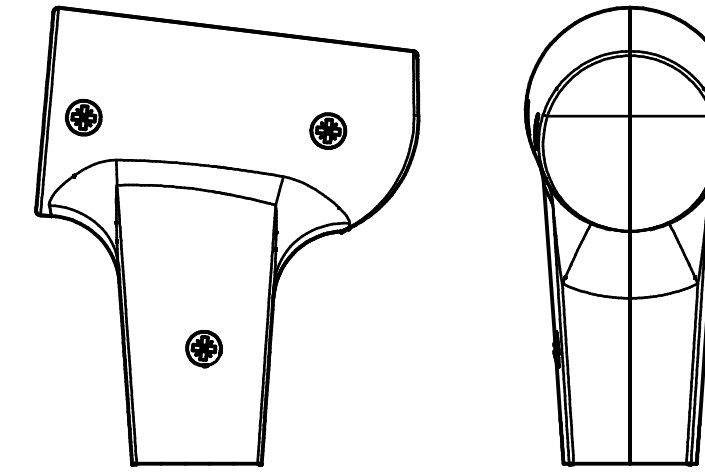
MG1 HANDLE



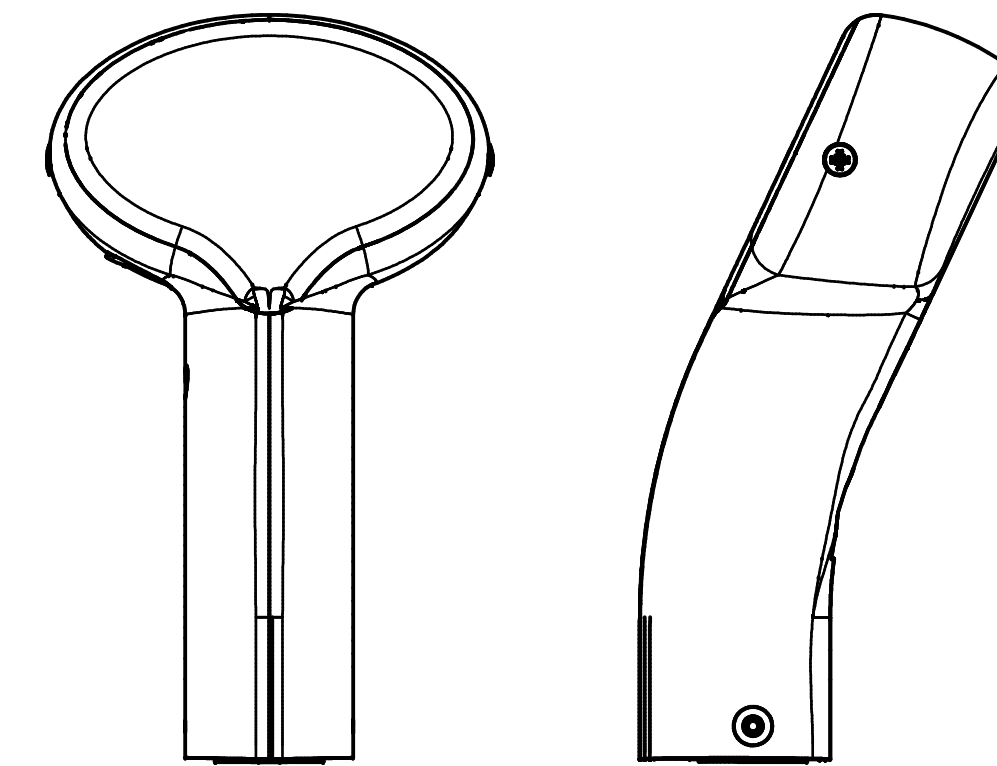
MG2 HANDLE



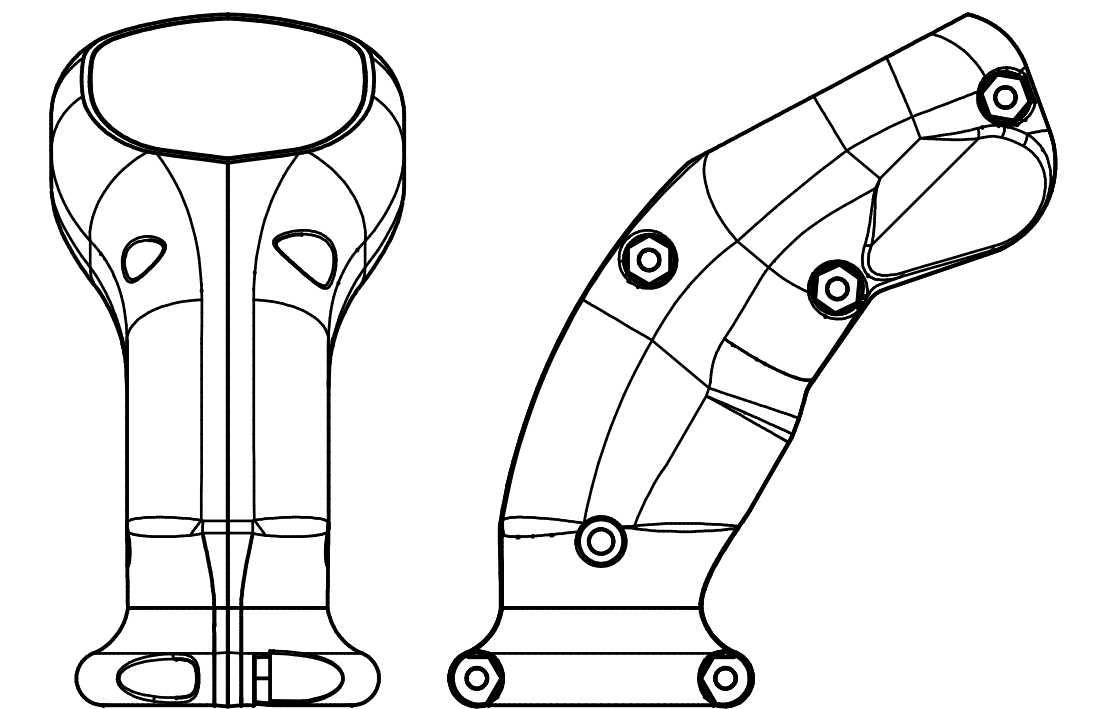
MG3 HANDLE



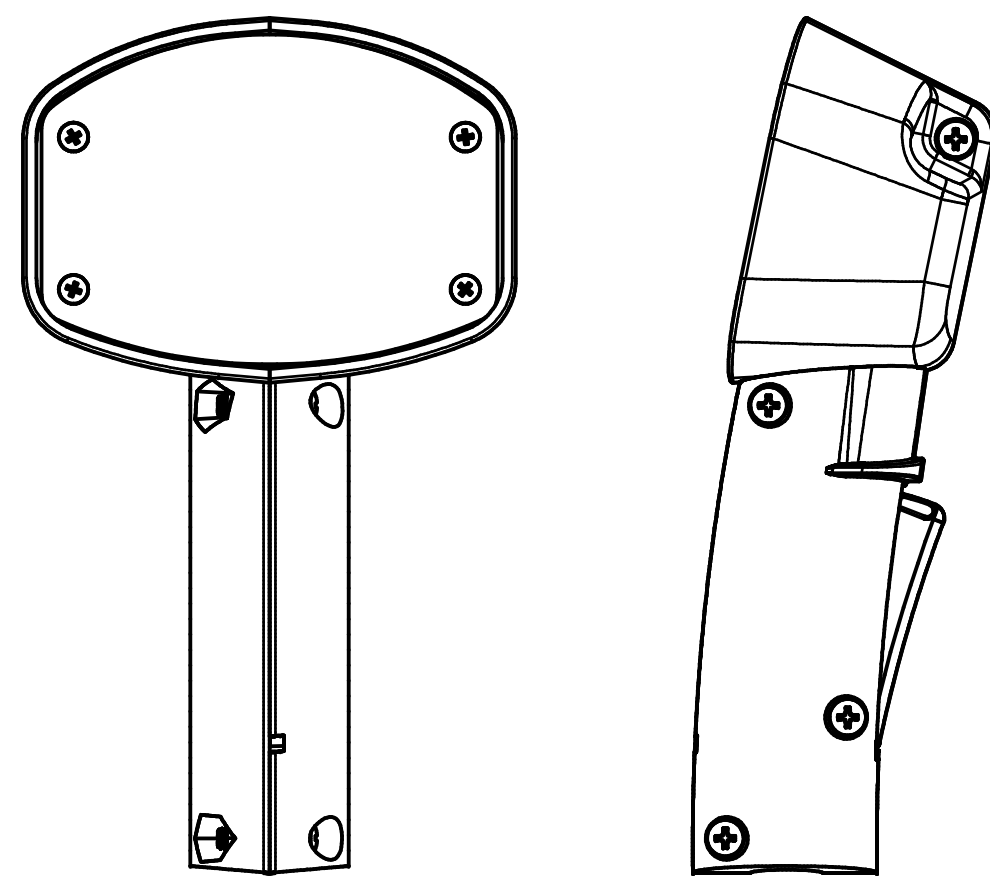
MG4 HANDLE



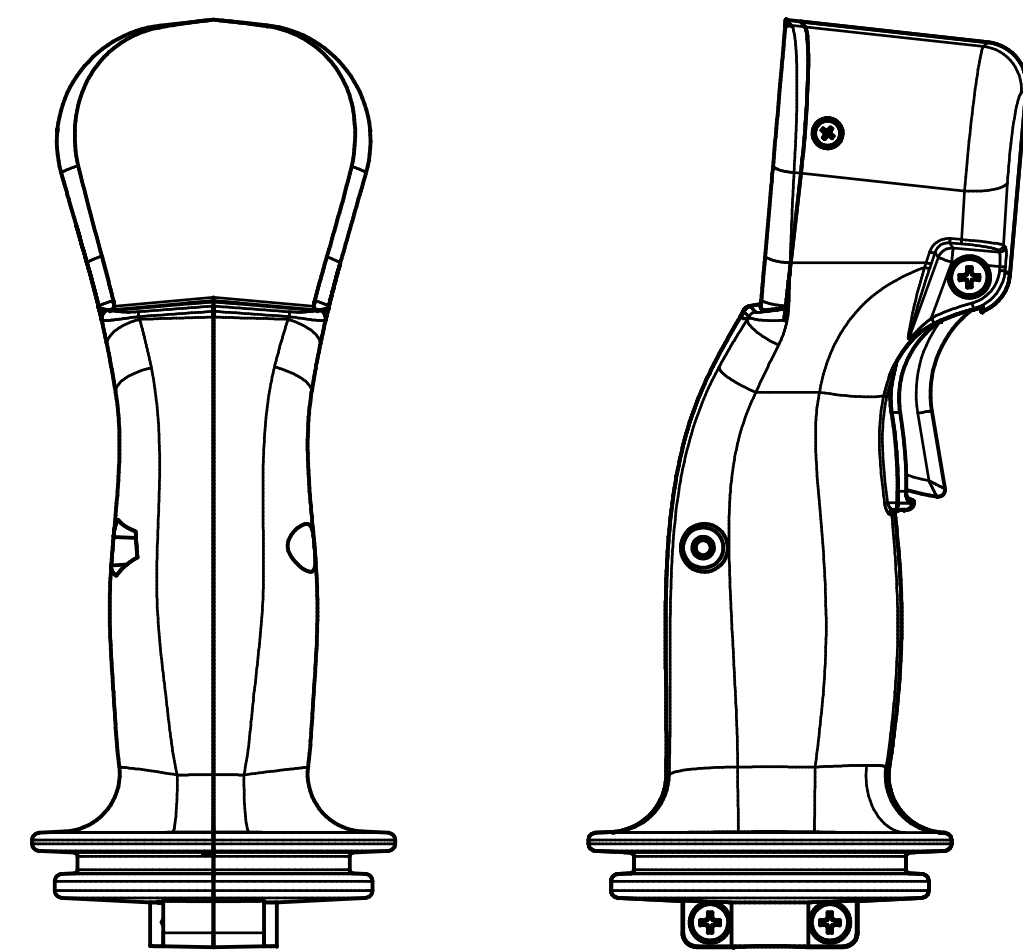
MG5 HANDLE



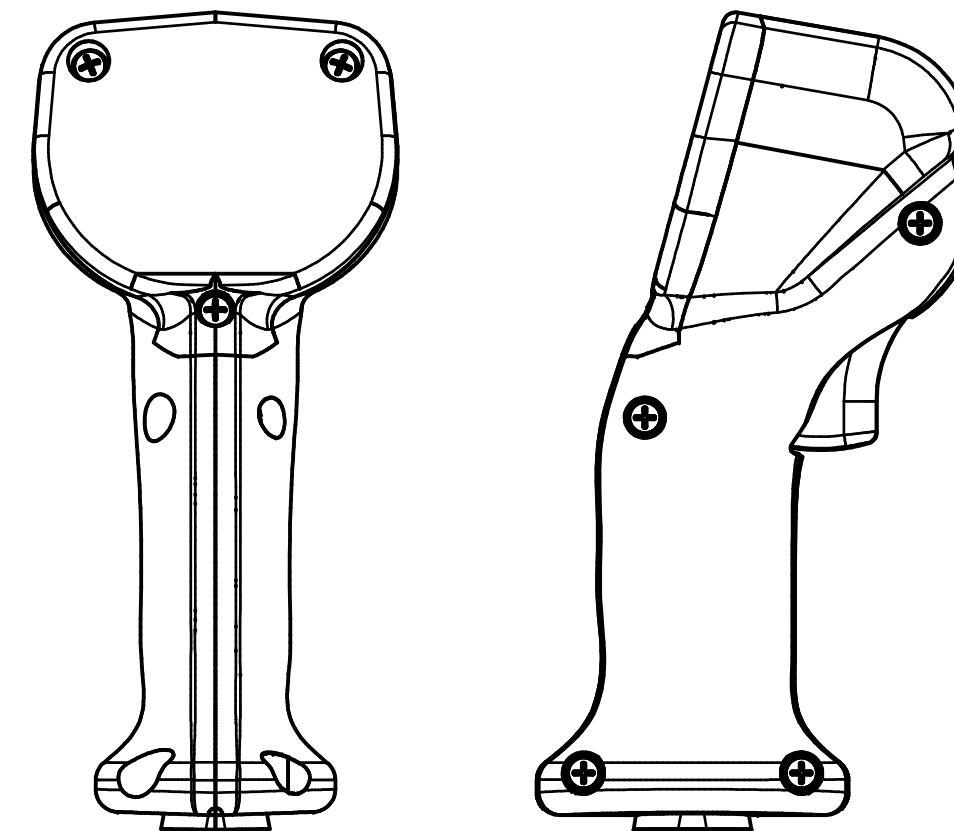
MG6 HANDLE



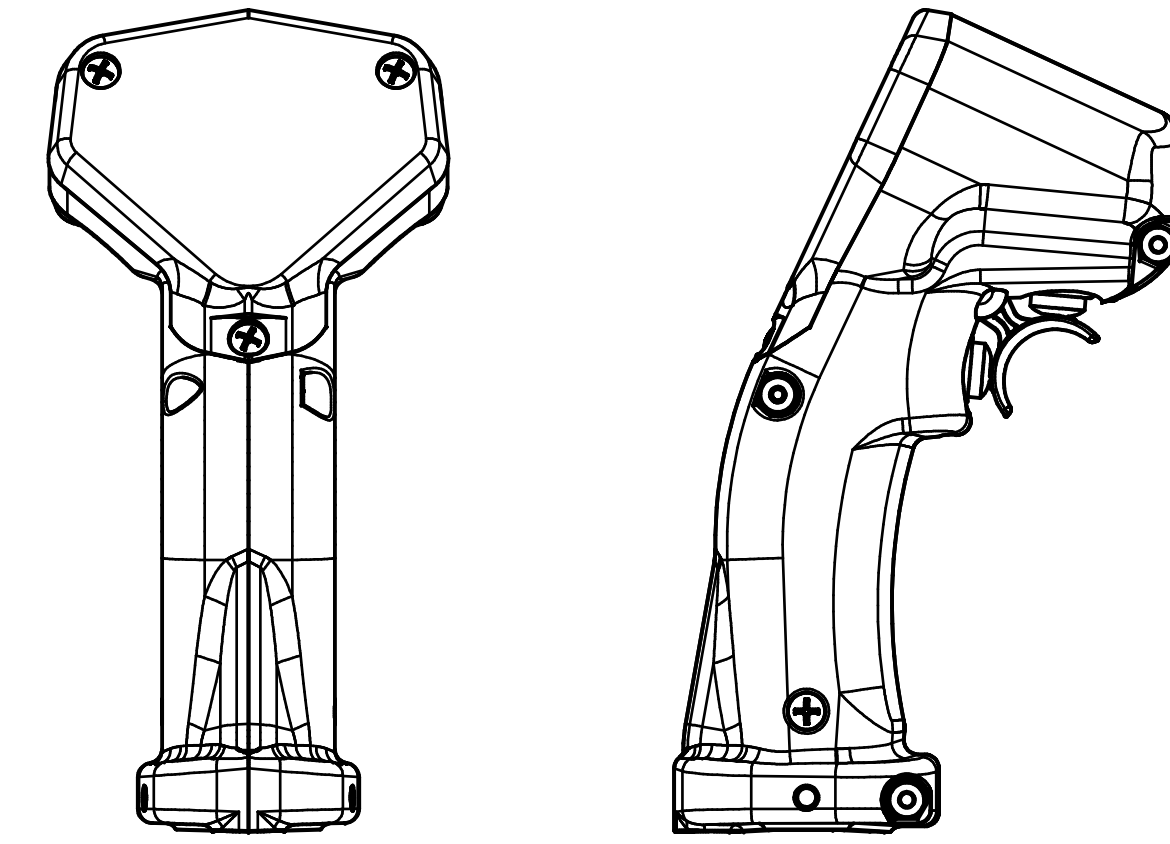
MG7 HANDLE



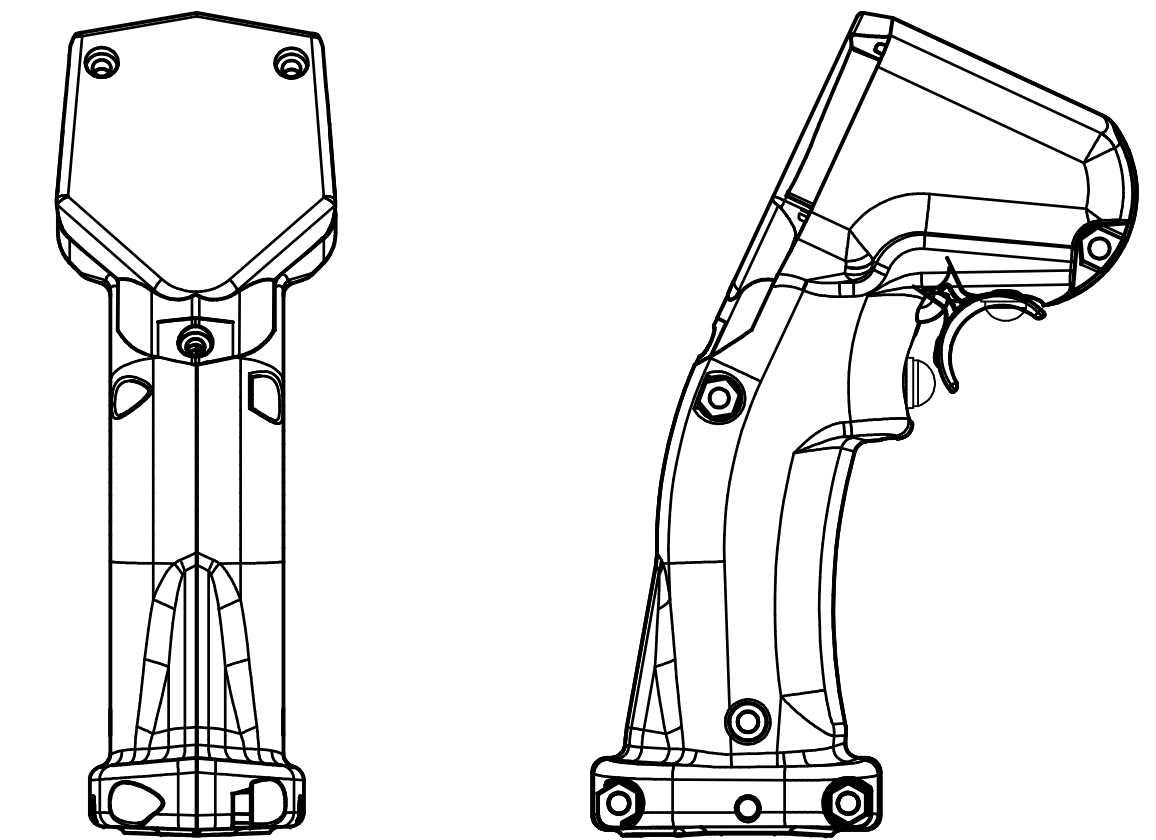
MG8 HANDLE



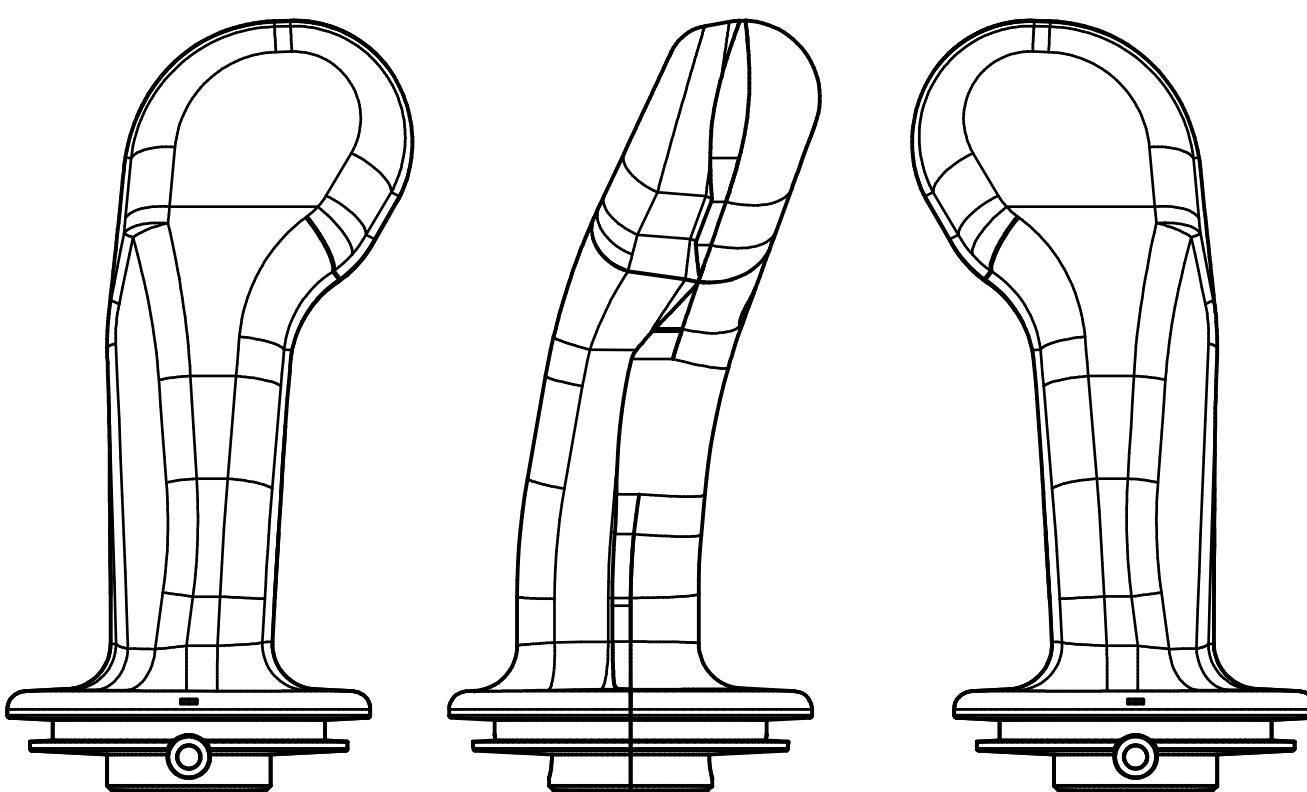
MG9 HANDLE



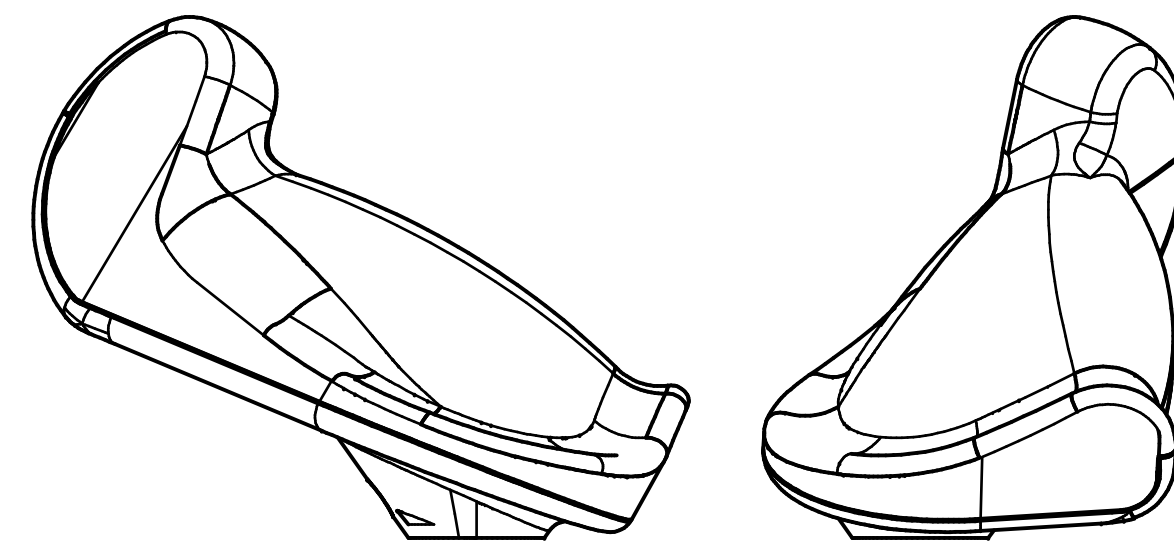
MG10 HANDLE



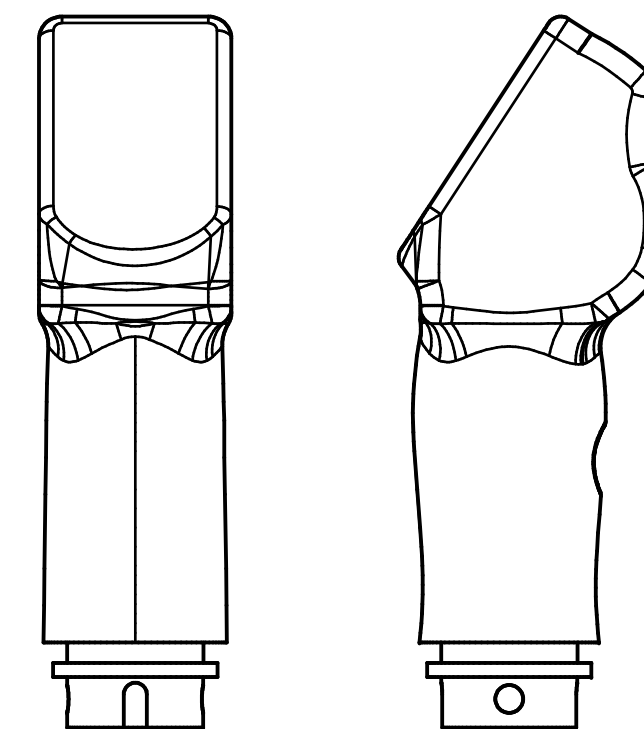
MG11 HANDLE



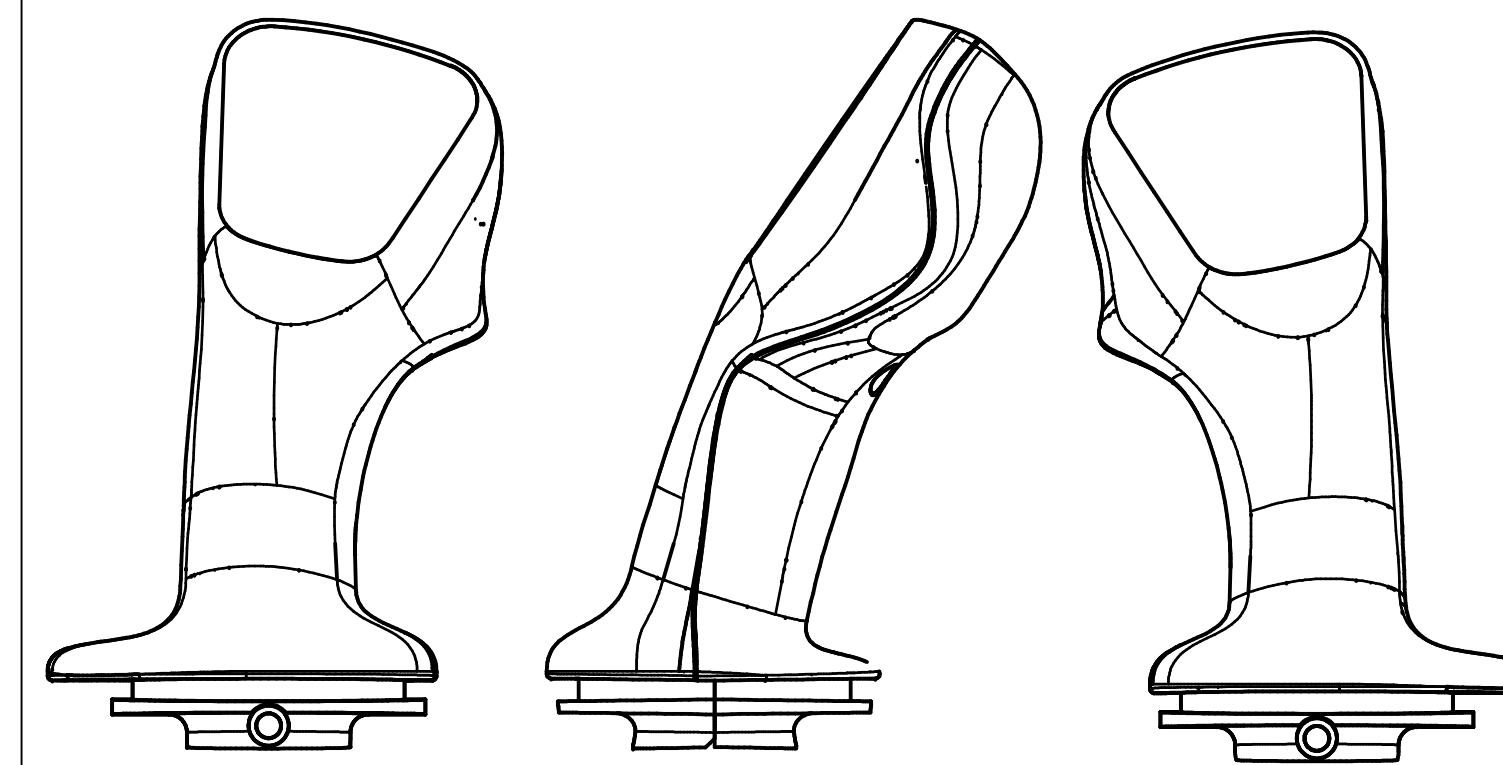
MG12 HANDLE



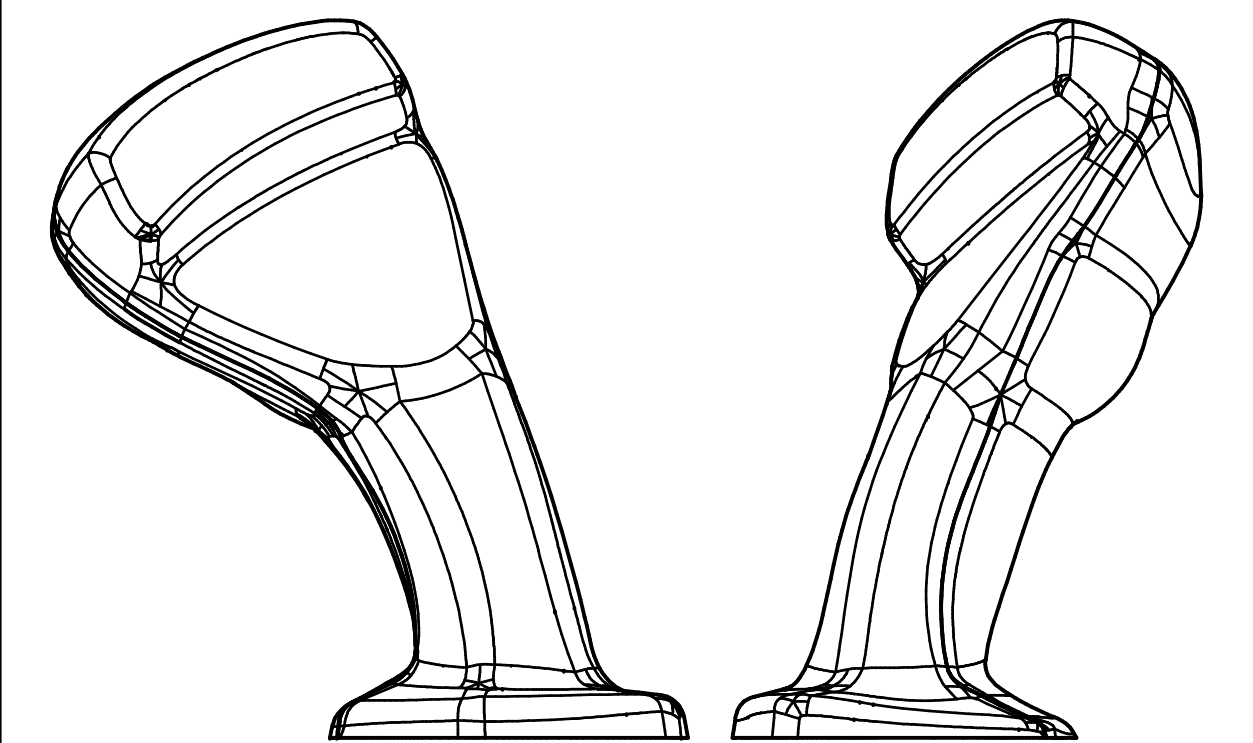
MG23 HANDLE



MG24 HANDLE

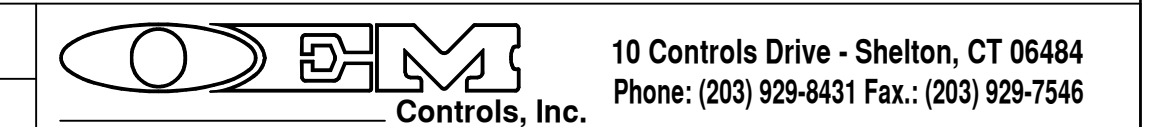


MG25 HANDLE



MG26 HANDLE

MATERIAL:	UNLESS OTHERWISE SPECIFIED	DRAWN BY	DOC	DATE	3/9/09
	TOLERANCE	CHECKED	DDO		3/9/09
	ANGLES	APVD	ENG.		
	.X ±.1	APVD	DESN		
	.XX ±.01	APVD	SALES		
	.XXX ±.005	DIMENSIONAL UNITS: INCHES			
	.XXX ±.0010	UNDIMENSIONED RADII:			
FINISH:	BREAK ALL SHARP CORNERS, EDGES & BURRS.				
	PROJECTION:				



MG HANDLE CONFIGURATIONS

PART NO.	DWG. NO. D20683	REV. C
SCALE NTS	SHEET 1 of 1	SIZE D

8

7

6

5

4

3

2

1