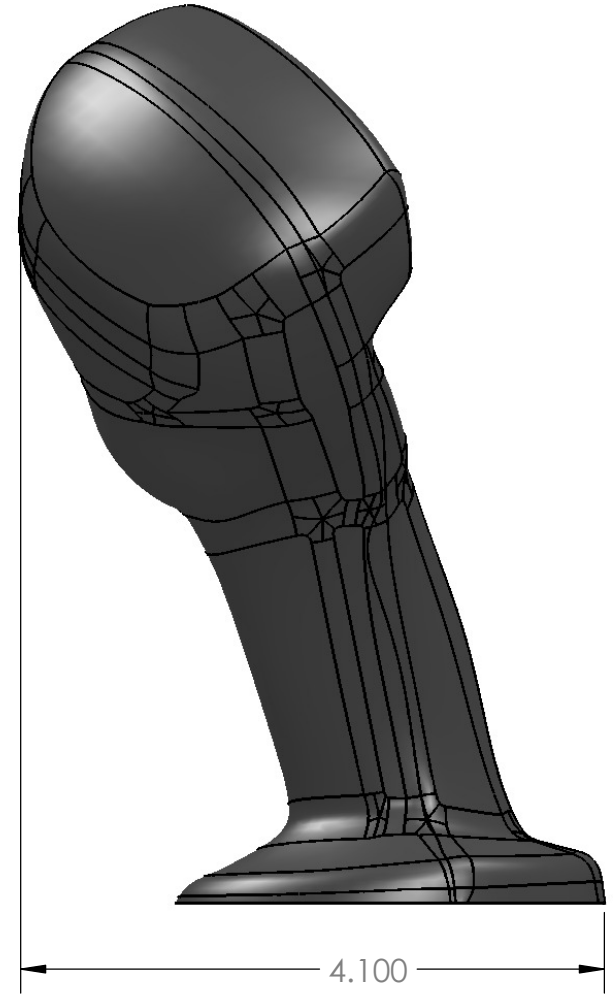
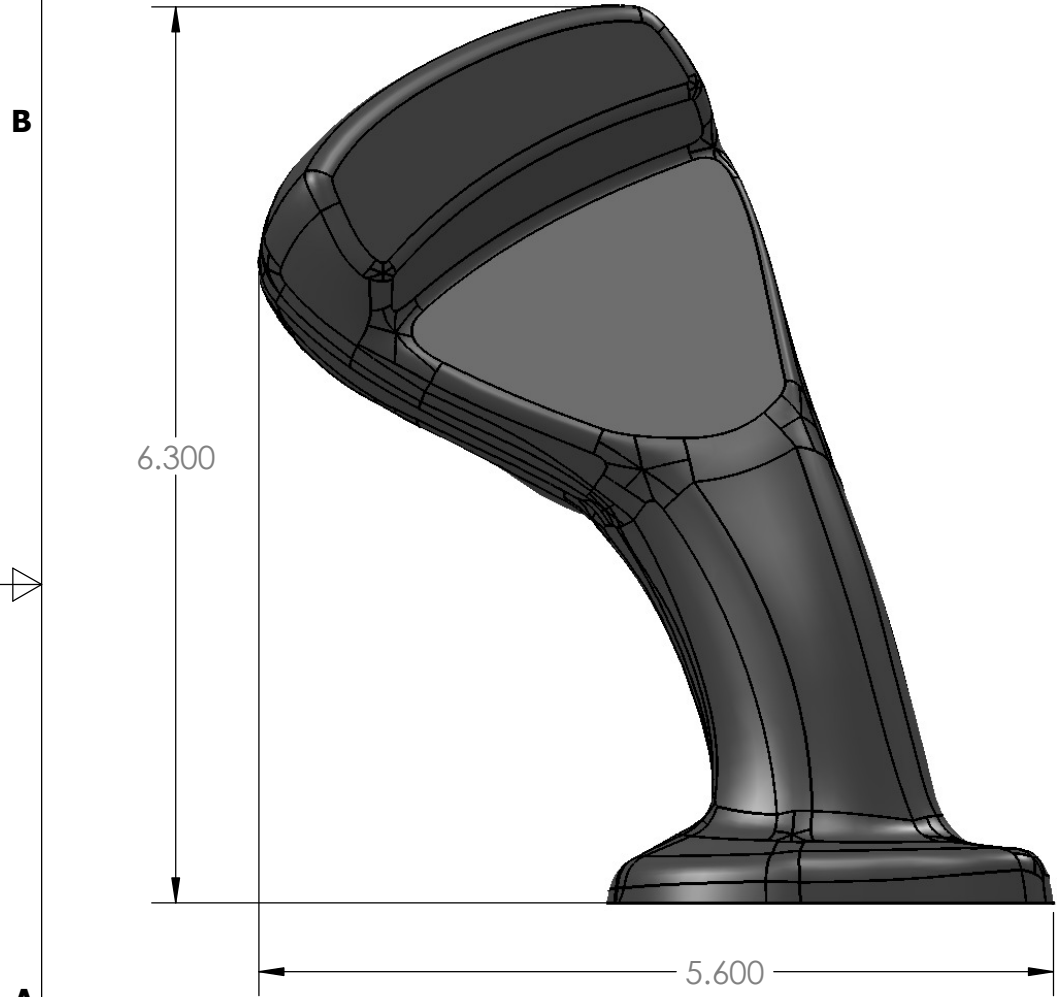


THIS DRAWING IS THE SOLE PROPERTY OF OEM CONTROLS INC., 10 CONTROLS DRIVE, SHELTON, CT 06484, USA. THIS DOCUMENT CONTAINS OEM PROPRIETARY INFORMATION. WRITTEN PERMISSION TO USE OR DISCLOSE ANY INFORMATION HEREIN MUST BE OBTAINED FROM OEM.

REVISIONS

REV	DESCRIPTION	DATE	APPROVED
A	ORIGINAL	RHJ*1/24/14	



MATERIAL:

*

UNLESS OTHERWISE SPECIFIED

TOLERANCE		ANGLES	
.X	±.1	.X	±.1°
.XX	±.01	.X	±.5°
.XXX	±.005		
.XXXX	±.0010		

FINISH:

*

DIMENSIONAL UNITS: INCHES
 UNDIMENSIONAL RADII: *
 BREAK ALL SHARP CORNERS
 EDGES & BURRS.

DRAWN BY RHJ

DATE 1/24/14

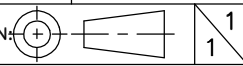
CHECKED BY

APVD BY

APVD DESN

APVD SALES

PROJECTION:



10 Controls Drive - Shelton, CT 06484
 Phone: (203)929-8431 Fax: (203)929-7546

Controls, Inc.

MG26 HANDLE DIMENSIONS

PART NO. *	DWG NO. A27378	REV A
SCALE N/A	SHEET 1 OF 1	SIZE A

2

1