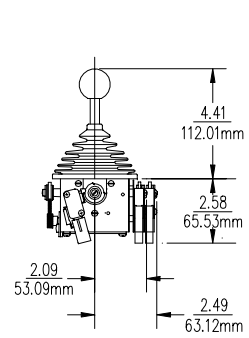
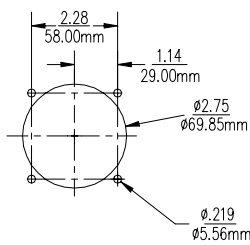


THIS DRAWING IS THE SOLE PROPERTY OF OEM CONTROLS INC., 10 CONTROLS DRIVE, SHELTON, CT 06484, USA. THIS DOCUMENT CONTAINS OEM PROPRIETARY INFORMATION. WRITTEN PERMISSION TO USE OR DISCLOSE ANY INFORMATION HEREIN MUST BE OBTAINED FROM OEM.

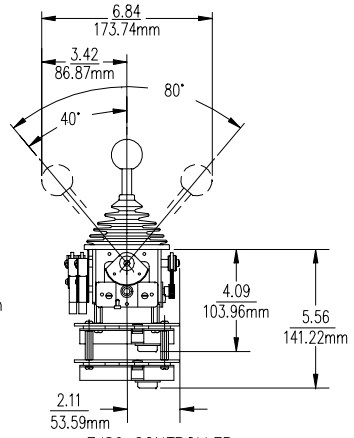
REVISIONS			
REV	DESCRIPTION	DATE	APPROVED
A	ORIGINAL	AJS 6/2/00	



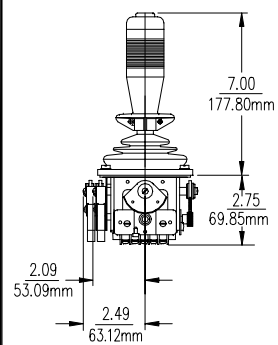
JS6 CONTROLLER
STANDARD WITH ROUND BALL



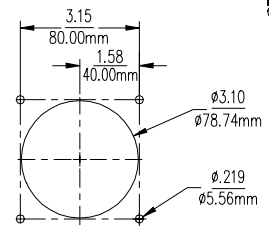
MOUNTING DIMENSIONS



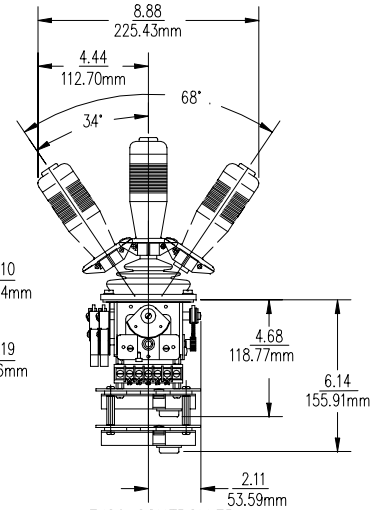
EJS6 CONTROLLER
STANDARD WITH ROUND BALL



JS6 CONTROLLER
WITH RG HANDLE



MOUNTING DIMENSIONS



EJS6 CONTROLLER
WITH RG HANDLE

DRAWN BY	AJS	DATE	6/2/00
CHECKED			
APVD ENG.			
APVD DESN			
APVD SALES			
PROJECTION:			



DIMENSIONAL DRAWING FOR
STANDARD EJS6 CONTROLLER

PART NO.	DWG NO. A5306	REV. A
SCALE	SHEET 1 of 1	SIZE A