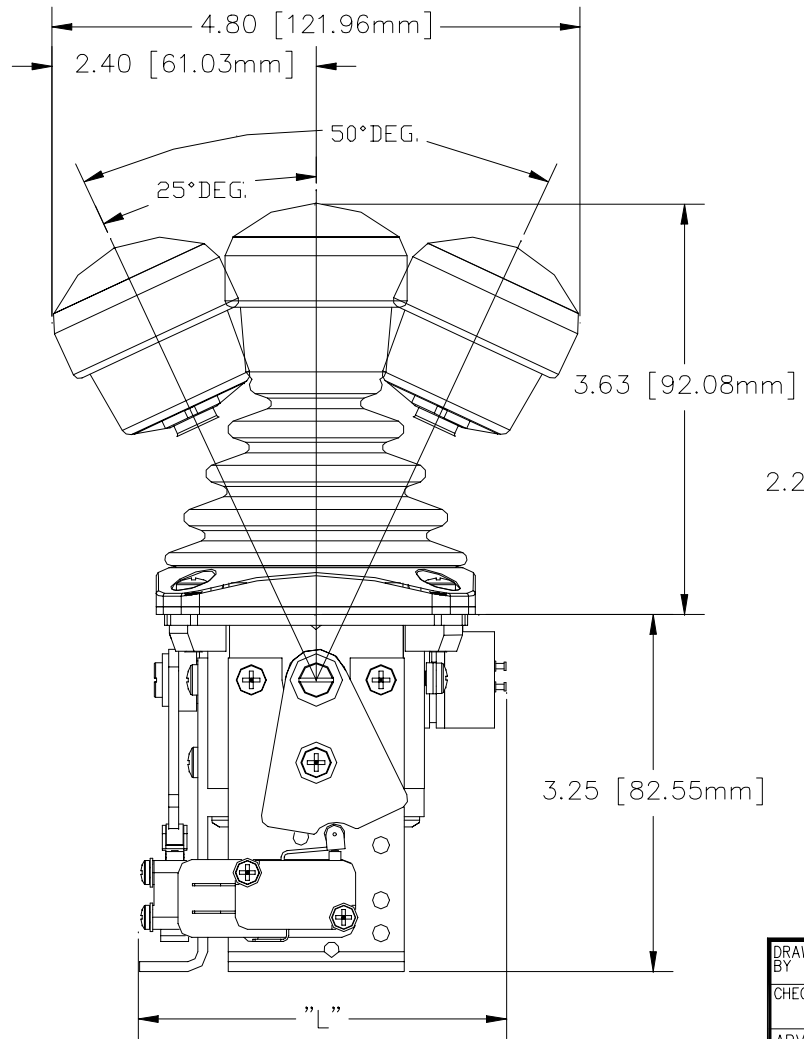


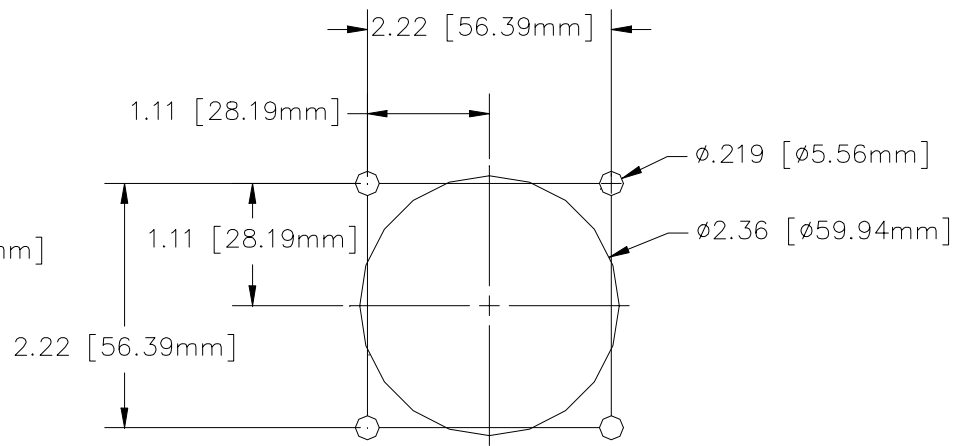
THIS DRAWING IS THE SOLE PROPERTY OF OEM CONTROLS INC., 10 CONTROLS DRIVE, SHELTON, CT 06484, USA. THIS DOCUMENT CONTAINS OEM PROPRIETARY INFORMATION. WRITTEN PERMISSION TO USE OR DISCLOSE ANY INFORMATION HEREIN MUST BE OBTAINED FROM OEM.

REVISIONS

REV	DESCRIPTION	DATE	APPROVED
A	ORIGINAL	AJS 8/11/99	



JS5 CONTROLLER



MOUNTING DIMENSIONS

DISTANCE	MICROSWITCH		
NO.	1	2	3
"L"	3.30 83.82mm	3.73 94.74mm	4.10 104.14mm

DRAWN BY: AJS	DATE: 8/11/99
CHECKED:	
APVD ENG.	
APVD DESN	
APVD SALES	
PROJECTION:	



10 Controls Drive - Shelton, CT 06484
Phone: (203) 929-8431 Fax: (203) 929-7546

DIMENSIONAL DWG. & MOUNTING DETAIL FOR JS5 CONTROLLER

PART NO.	DWG NO. A5244	REV A
SCALE N/A	SHEET 1 of 1	SIZE A