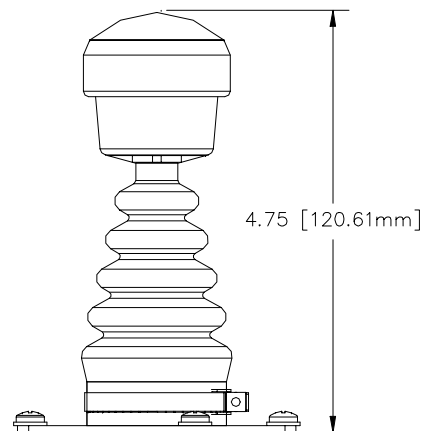
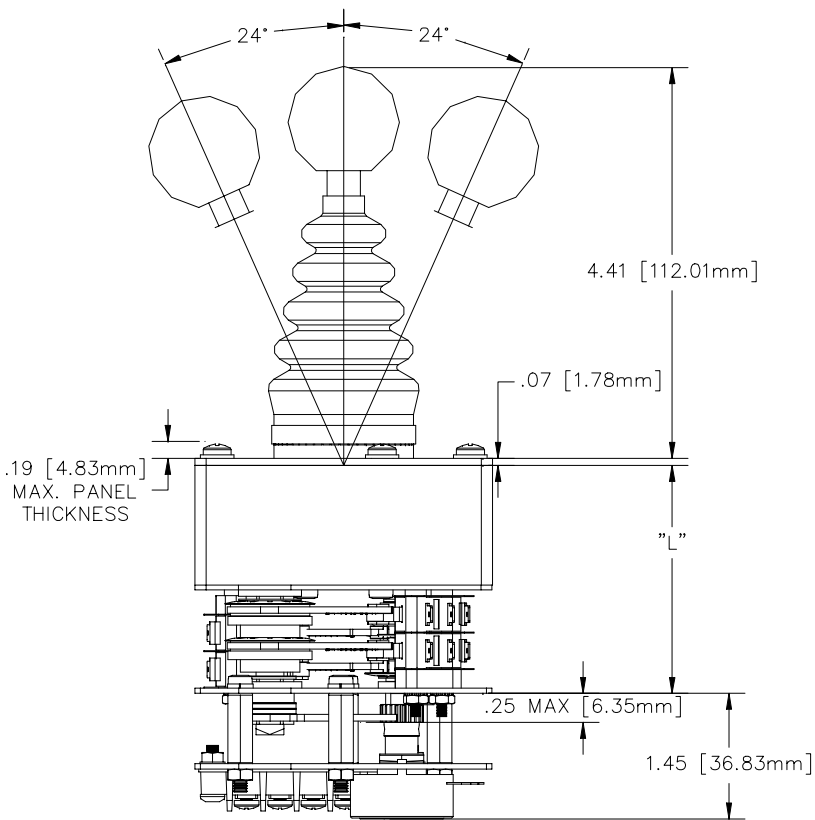


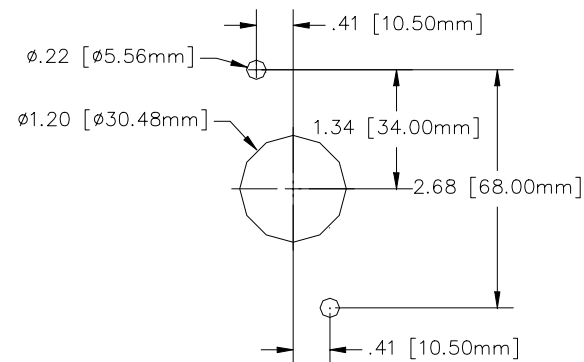
THIS DRAWING IS THE SOLE PROPERTY OF OEM CONTROLS INC., 10 CONTROLS DRIVE, SHELTON, CT 06484, USA. THIS DOCUMENT CONTAINS OEM PROPRIETARY INFORMATION. WRITTEN PERMISSION TO USE OR DISCLOSE ANY INFORMATION HEREIN MUST BE OBTAINED FROM OEM.

REVISIONS

REV	DESCRIPTION	DATE	APPROVED
A	ORIGINAL	PER ECN #6373	AJS 8/10/99



CAP HANDLE DETAIL  
JS1 CONTROLLER



MOUNTING DIMENSIONS  
JS1 CONTROLLER

DEPTH UNDER PANEL						
DISTANCE	MICROSWITCH					
NO.	1	2	3	4	5	6
"L"	2.13 54.10mm	2.54 64.52mm	2.95 74.93mm	3.36 85.34mm	3.77 95.76mm	4.18 106.17mm

DRAWN BY: AJS	DATE: 8/10/99
CHECKED:	
APVD ENG.	
APVD DESN	
APVD SALES	
PROJECTION:	



10 Controls Drive - Shelton, CT 06484  
Phone: (203) 929-8431 Fax: (203) 929-7546

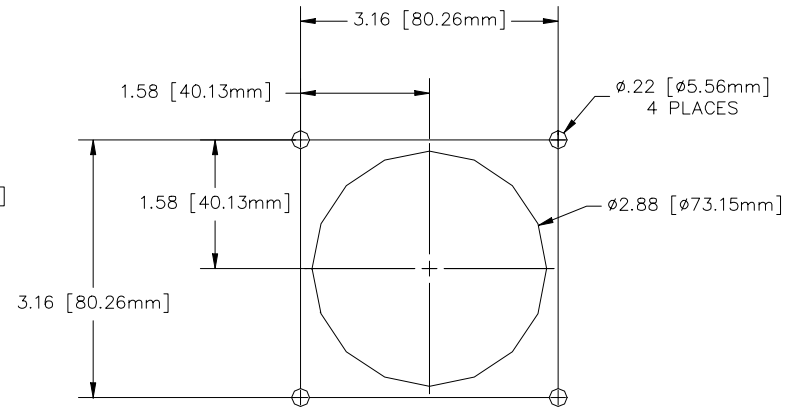
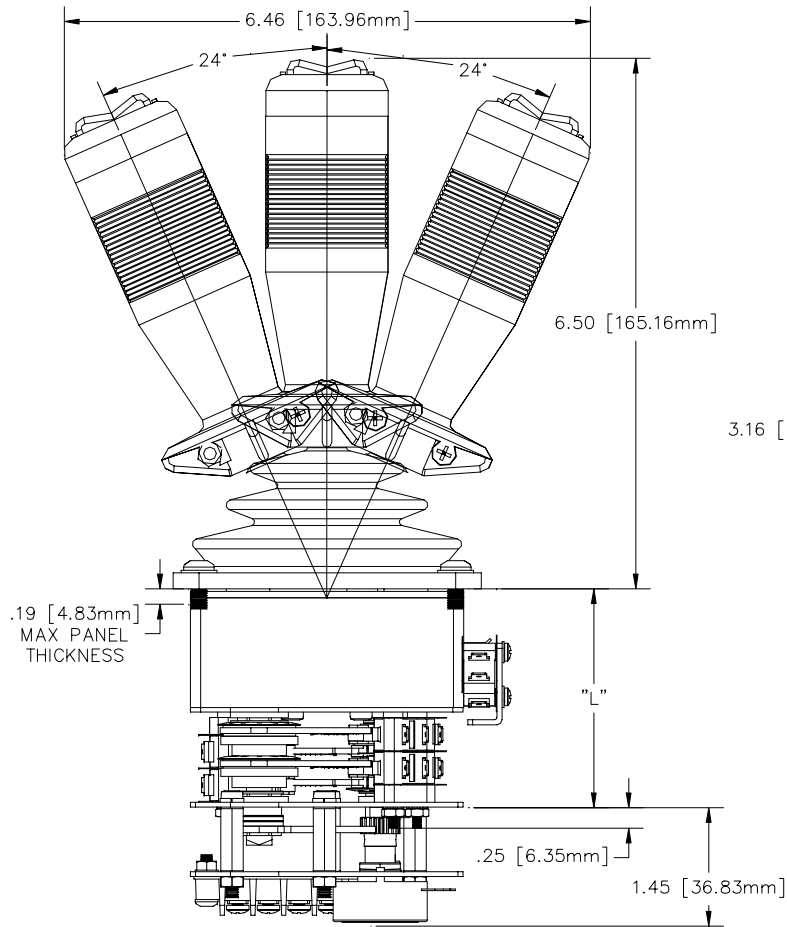
DIMENSIONS FOR  
JS1 CONTROLLER

PART NO. JS1	DWG NO. A5217	REV A
SCALE N/A	SHEET 1 of 2	SIZE A

THIS DRAWING IS THE SOLE PROPERTY OF OEM CONTROLS INC., 10 CONTROLS DRIVE, SHELTON, CT 06484, USA. THIS DOCUMENT CONTAINS OEM PROPRIETARY INFORMATION. WRITTEN PERMISSION TO USE OR DISCLOSE ANY INFORMATION HEREIN MUST BE OBTAINED FROM OEM.

REVISIONS

REV	DESCRIPTION	DATE	APPROVED
A	ORIGINAL	PER ECN #6373	AJS 8/10/99



PANEL MOUNTING LAYOUT

DISTANCE NO.	DEPTH UNDER PANEL W/RG HANDLE					
	MICROSWITCH					
"L"	2.44 61.98mm	2.85 72.33mm	3.26 82.80mm	3.67 93.22mm	4.08 103.63mm	4.49 114.05mm

DRAWN BY	AJS	DATE	8/10/99
CHECKED			
APVD ENG.			
APVD DESN			
APVD SALES			
PROJECTION:			1



10 Controls Drive - Shelton, CT 06484  
Phone: (203) 929-8431 Fax: (203) 929-7546

DIMENSION FOR JS4 CONTROLLER

PART NO. JS4	DWG NO. A5217	REV A
SCALE N/A	SHEET 2 of 2	SIZE A