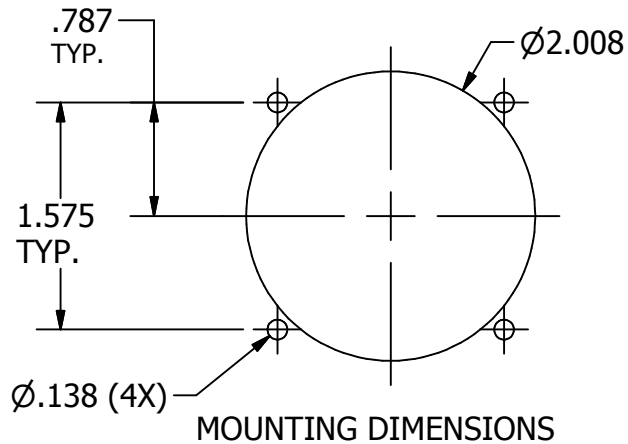
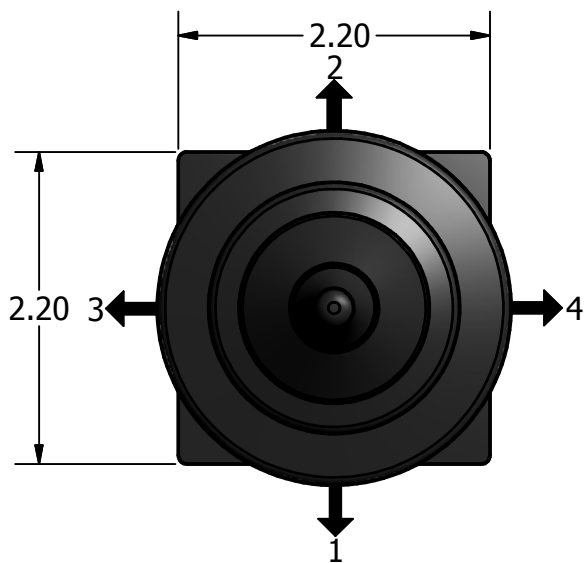
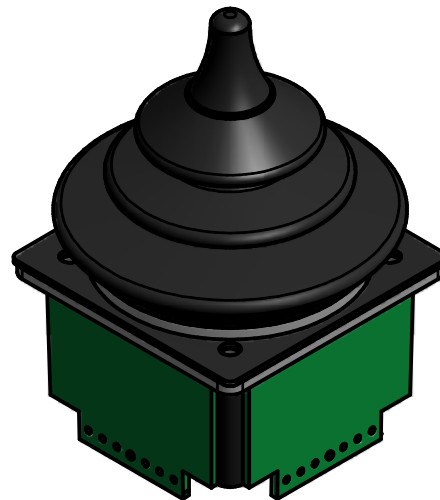
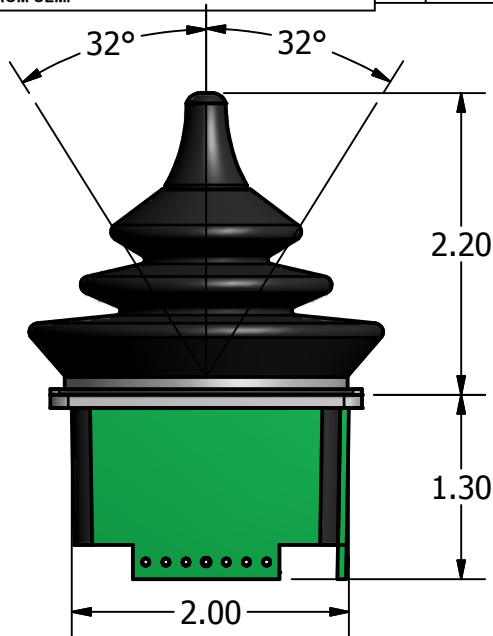


THIS DRAWING IS THE SOLE PROPERTY OF OEM CONTROLS INC., 10 CONTROLS DRIVE, SHELTON, CT 06484, USA. THIS DOCUMENT CONTAINS OEM PROPRIETARY INFORMATION. WRITTEN PERMISSION TO USE OR DISCLOSE ANY INFORMATION HEREIN MUST BE OBTAINED FROM OEM.

REVISIONS

REV	DESCRIPTION	DATE	APPROVED
A	ORIGINAL	RHJ*1/15/14	



OPTIONS:

- SINGLE AXIS CONTROLLER
- DUAL AXIS CONTROLLER
- SIMULTANEOUS GATE
- CROSS GATE
- SPECIAL "H" GATE
- SOLID KNOB
- PUSH BUTTON IN KNOB

SPECS:

- 3 MILLION MECH OPERATION
- OPERATING TEMP 30°C TO 70°C
- STORAGE TEMP 50°C TO 80°C

MATERIAL:
*

FINISH:
*

UNLESS OTHERWISE SPECIFIED

DRAWN BY **RHJ** **DATE** **1/15/14**



10 Controls Drive - Shelton, CT 06484
Phone: (203) 929-8431 Fax.: (203) 929-7546

TOLERANCE		ANGLES	
.X	±.1	X	±1'
.XX	±.01	.X	±.5'
.XXX	.005		
.XXXX	.0010		

CHECKED
APVD ENG.
APVD DESN
APVD SALES

DIMENSIONAL UNITS: **INCHES**

UNDIMENSIONED RADII: *

BREAK ALL SHARP CORNERS, EDGES & BURRS.

PROJECTION:

JS10: MINI-DUAL AXIS CONTROLLER MOUNTING & DIMENSION

PART NO. JS10	DWG NO. A24354	REV. A
SCALE N/A	SHEET 1 OF 1	SIZE A