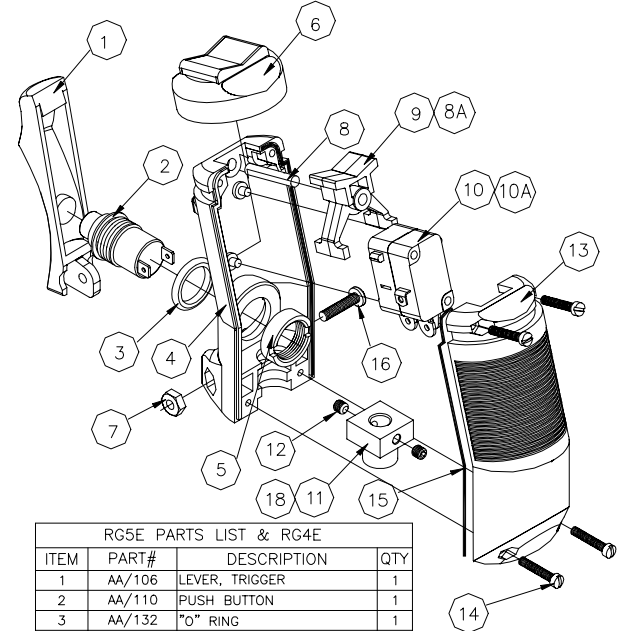
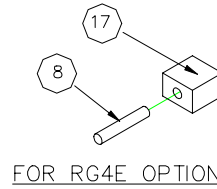
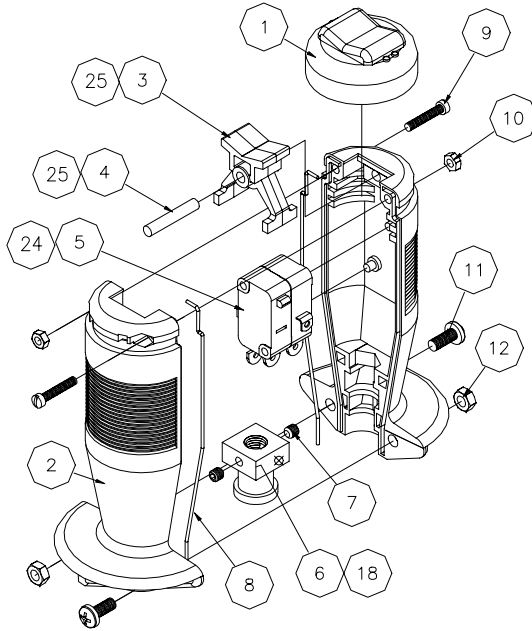


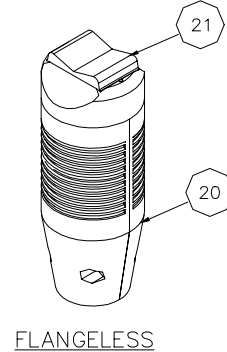
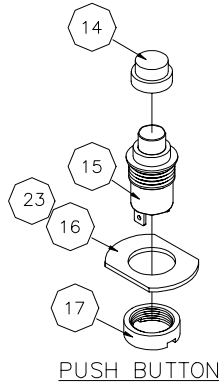
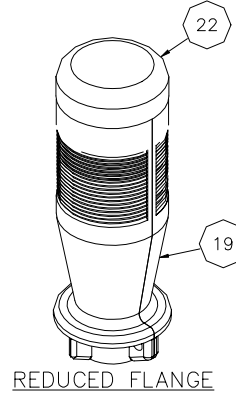
THIS DRAWING IS THE SOLE PROPERTY OF OEM CONTROLS INC., 10 CONTROLS DRIVE, SHELTON, CT 06484, USA. THIS DOCUMENT CONTAINS OEM PROPRIETARY INFORMATION. WRITTEN PERMISSION TO USE OR DISCLOSE ANY INFORMATION HEREIN MUST BE OBTAINED FROM OEM.

REVISIONS

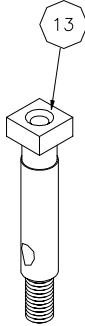
REV	DESCRIPTION	DATE	APPROVED
A	ORIGINAL	PER ECN#6308 AJS 6/18/99	



RG5E PARTS LIST & RG4E			
ITEM	PART#	DESCRIPTION	QTY
1	AA/106	LEVER, TRIGGER	1
2	AA/110	PUSH BUTTON	1
3	AA/132	"O" RING	1
4	AA/108	HANDLE HALF, FRONT	1
5	AA/17A	NUT, PUSH BUTTON	1
6	AA/168	ROCKER BOOT	1
7	AA/47	NUT	1
8A	RGSA15	ROCKER ASSY	1
8	AA/104	AXEL PIN	1
9	AA/120	ROCKER	1
10A	SP#	SEE BOM (WIRING ASSY)	1
10	AA/10	MICRO SWITCH ASSEMBLY	2
11	AA/109	8mm COUPLING	1
12	AA/42	SET SCREW	2
13	AA/105	HANDLE HALF, BACK	1
14	AA/131	SCREW	4
15	AA/58	GASKET, 4"	2
16	AA/125	SCREW	1
17	AA/146	BLOCK	1
18	AA/1A	10mm COUPLING	1



Parts list			
NO.	PART#	DESCRIPTION	QTY
1	AA/4	BOOT FOR ROCKER	1
2	AA/3A	HANDLE HALF	2
3	AA/120	ROCKER	1
4	AA/104	ROCKER AXEL PIN	1
5	AA/10	MICROSWITCH	2
6	AA/1	8mm COUPLING	1
7	AA/42	SET SCREW	2
8	AA/58	GASKET	2
9	AA/5	SCREW	2
10	T/39	NUT	2
11	T30	SCREW	2
12	T/69	NUT	2
13	AA/32	ADAPTER COUPLING	1
14	AA/41	PUSH BUTTON KNOB	1
15	AA/17	PUSHBUTTON	1
16	AA/30	DISC PLATE FULL & REDUCE HANDLE	1
17	AA/17A	PUSHBUTTON NUT	1
18	AA/1A	10mm COUPLING	1
19	AA33	REDUCED FLANGE	2
20	AA71	FLANGELESS	2
21	AA/70	BOOT	1
22	AA19	BOOT	1
23	AA/72	DISC PLATE FOR FLANGELESS HANDLE	1
24	SP#	SEE BOM (WIRING ASSEMBLY)	1
25	RGSA5	ROCKER ASSY	1



PUSH BUTTON

DRAWN BY: AJS	DATE: 6/18/99
CHECKED:	
APVD ENG:	
APVD DESN:	
APVD SALES:	
PROJECTION:	



ROCKER GRIP HANDLE
SPARE PARTS

PART NO.	DWG NO. A9814	REV A
SCALE	SHEET	SIZE A