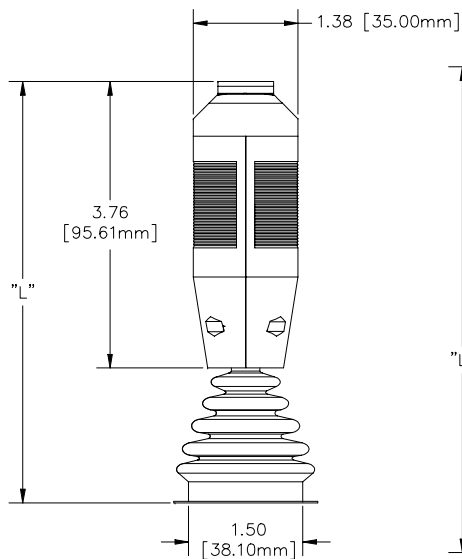


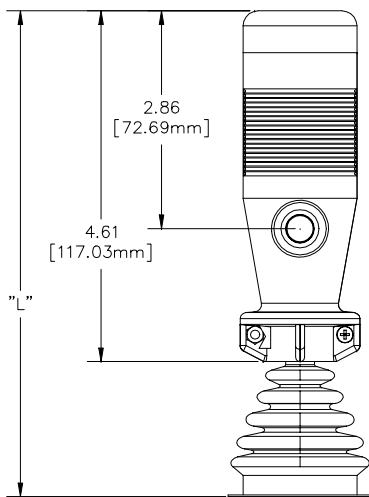
THIS DRAWING IS THE SOLE PROPERTY OF OEM CONTROLS INC., 10 CONTROLS DRIVE, SHELTON, CT 06484, USA. THIS DOCUMENT CONTAINS OEM PROPRIETARY INFORMATION. WRITTEN PERMISSION TO USE OR DISCLOSE ANY INFORMATION HEREIN MUST BE OBTAINED FROM OEM.

REVISIONS

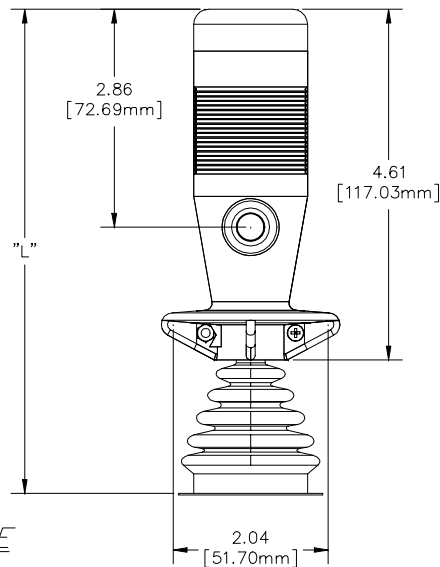
REV	DESCRIPTION	DATE	APPROVED
A	ORIGINAL	ECN #6373 AJS 8/11/99	



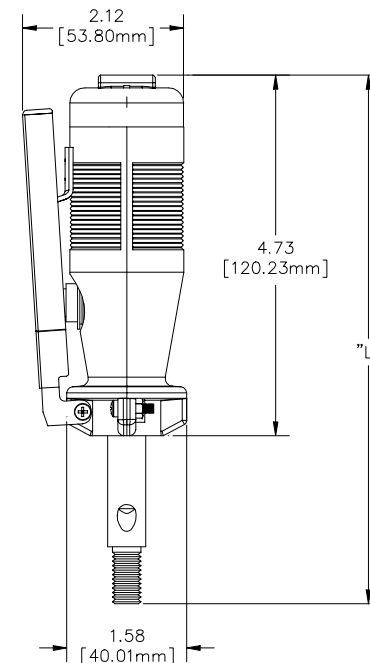
*RG FLANGLSS HANDLE*



*RG REDUCED HANDLE*



*RG FULL FLANGE HANDLE*



*RG HANDLE  
W/METAL LEVER*

NOTES:

- IF ORDERED SEPERATELY FROM CONTROLLER, PLEASE SPECIFY 8mm ,10mm COUPLING ADAPTOR SHAFT OR IF NO COUPLING REQUIRED.

ABOVE PANEL HEIGHT "L" LENGTH

HANDLE	63mm	80mm
RG (FLANGLSS)	5.00 [127.00mm]	5.670 [144.02mm]
RG4 (REDUCE FLANGE)	5.85 [148.59mm]	6.51 [165.58mm]
RG4 (FULL FLANGE)	5.85 [148.59mm]	6.51 [165.58mm]
RG (REDUCED W/LEVER)	5.85 [148.59mm]	6.51 [165.58mm]
RG WITH ADAPTOR SHAFT	6.94 [176.33mm]	

DRAWN BY	AJS	DATE	8/11/99
CHECKED			
APVD ENG.			
APVD DESN			
APVD SALES			



10 Controls Drive - Shelton, CT 06484  
Phone: (203) 929-8431 Fax: (203) 929-7546

**DIMENSIONAL FOR RG HANDLES**

PROJECTION:		PART NO.	DWG NO. <b>A5236</b>	REV <b>A</b>
		SCALE <b>N/A</b>	SHEET <b>1 of 2</b>	SIZE <b>A</b>