

## Foot Pedal Controller– Type FP2



The FP Series, type FP Foot Pedal Controller is constructed of die-cast zinc. It can be used alone or in conjunction with our MS2 or MS4 type controllers for bi-directional/proportional speed control. Any application requiring hands free operation, makes the FP2 controller ideal.

The standard FP2 includes two microswitches and one 2.25 watt potentiometer. It can be supplied with up to three microswitches and a potentiometers. Rugged and weatherproof, the FP2 comes equipped with adjustable pedal travel and a multi-turn return spring.

The FP2 is suitable for use as a speed control on electrically or electrohydraulically powered vehicles. Additional applications include: winch control, brake control, crane control, welder wire feed control, and conveyer speed control.

### Options:

- **Heel-Toe Operation** –12.5 degrees pedal travel each direction
- **NPS Conduit Hole** – size specified by customer
- **Potentiometer** – wide range of standard and custom pots available
- **Protective Guard** – precaution for accidental actuation for toe activation
- **UFO electronics**
- **Microswitches** – 3 with Pot and 6 without

### Features:

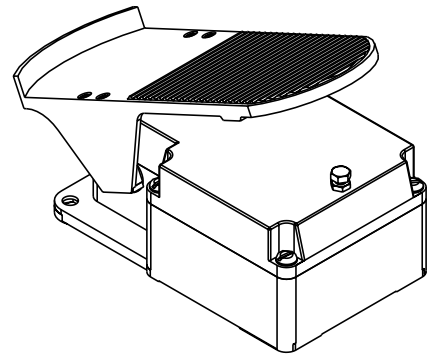
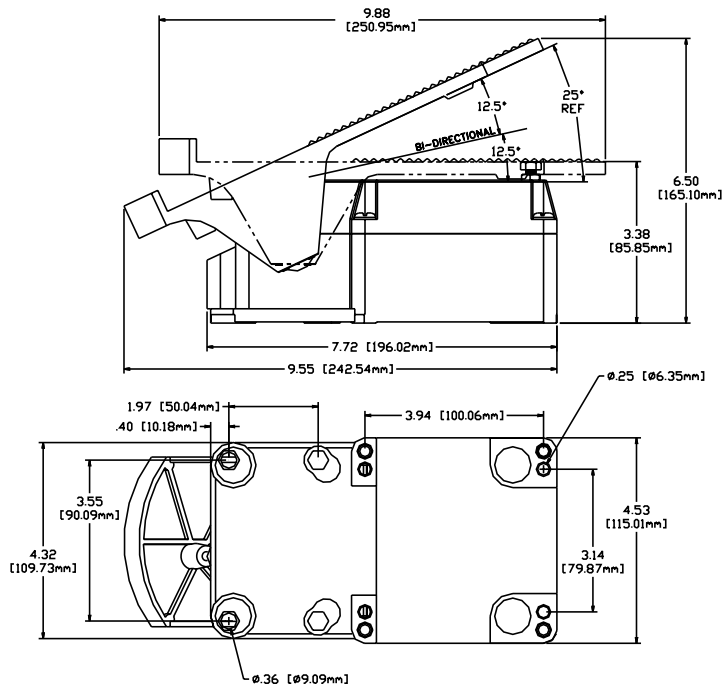
- **Withstands the abuse of direct foot operation, eliminating cumbersome, unreliable linkages**
- **Potentiometer can be wired for ascending or descending resistance**
- **Fully adjustable switch actuating cams**
- **Adjustable pedal travel**
- **Hidden mounting screws**



Available with UFO electronic module for precise electrohydraulic valve control

# FP Series Foot Pedal Controller

## Approximate Overall Dimensions



### Technical Data:

- **Mechanical Life:** > 6 million cycles
- **Operating Temperature:** -40° to +70°C
- **Pedal Deflection:** 25° (unidirection); 12.5° (bidirection)
- **Contact Rating:** Type V3 SPDT 10 amp @24VDC or 125VAC
- **Degree of Protection:** IP54

**WARNING:** It is the purchaser's responsibility to determine the suitability of any OEM Controls product for an intended application, and to insure that it is installed and guarded in accordance with all federal, state, local and private safety and health regulations, codes and standards.

Due to the unlimited variety of machines, vehicles and equipment on which our controls are used, and the numerous standards which are frequently the subject of varying interpretation, it is impossible for OEM Controls personnel to provide expert advice regarding the suitability of a given controller for a specific application. The flexibility of our products allows us to offer thousands of custom configurations. We can advise you of the various features that are available and you can examine models to see what meets your needs. We believe our customers' engineering departments should be the qualified experts in their own product field. If the product will be used in a safety critical application, the customer must undertake appropriate testing and evaluation to prevent injury to the ultimate user.

Should you have any questions or if any of the above warning is unclear, please contact OEM Controls at 10 Controls Drive, Shelton, CT 06484, FAX: 203.929.3867, TEL: 203.929.8431.



10 Controls Drive • Shelton, CT 06484

Phone: 203.929.8431

Telefax: 203.929.3867

Internet: [www.oemcontrols.com](http://www.oemcontrols.com)