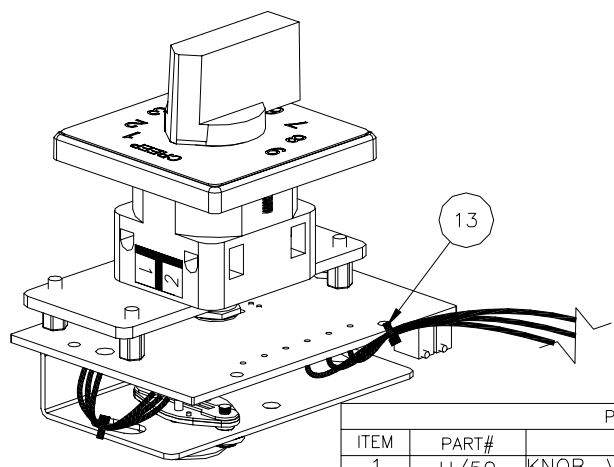
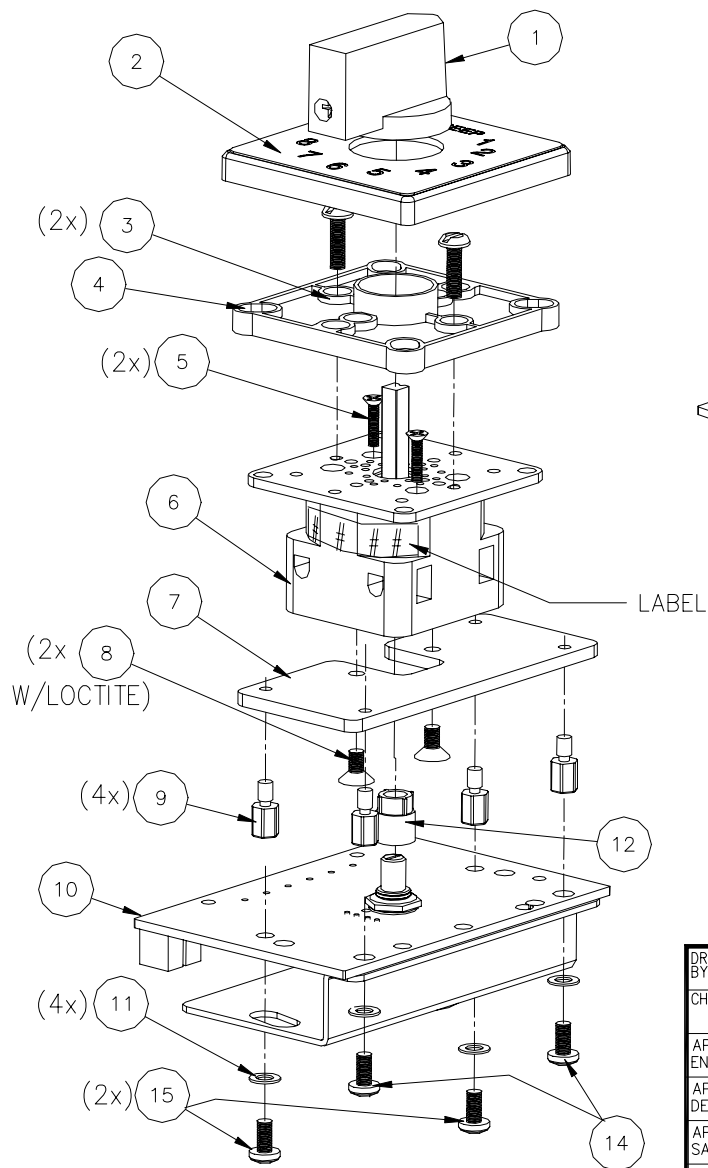


THIS DRAWING IS THE SOLE PROPERTY OF OEM CONTROLS INC., 10 CONTROLS DRIVE, SHELTON, CT 06484, USA. THIS DOCUMENT CONTAINS OEM PROPRIETARY INFORMATION. WRITTEN PERMISSION TO USE OR DISCLOSE ANY INFORMATION HEREIN MUST BE OBTAINED FROM OEM.

REVISIONS			
REV	DESCRIPTION	DATE	APPROVED
C	ORIGINAL	PER ECN #7851	AJS 6/1/00



Parts list			
ITEM	PART#	DESCRIPTION	QTY
1	U/50	KNOB, V2N SWITCH	1
2	SEE BOM	NAME PLATE	1
3	T/51	SCREW	2
4	X/85	KNOB RETAINING PLATE	1
5	SYS/123	SCREW, 4-40 x 1/2 FLAT HD.	2
6	SEE BOM	ROTARY SWITCH ASSEMBLY	1
7	G/146	PLATE	1
8	T/9	SCREW, M4 x 8 FLAT HD.	2
9	EPEH/849	STANDOFF	4
10	ET####	PCB ASSEMBLY	1
11	T/70	WASHER	4
12	G/150	V2N POT SHAFT COUPLING	1
13	V/17	TYRAP	2
14	T/30	SCREWS	2
15	T/31	SCREW	2

DRAWN BY: AJS	DATE: 6/1/00
CHECKED:	
APVD ENG.	
APVD DESN	
APVD SALES	
PROJECTION:	

10 Controls Drive - Shelton, CT 06484
Phone: (203) 929-8431 Fax: (203) 929-7546

**RS1 & RS2 ROTARY SWITCH
WIHT PCB**

PART NO.	DWG NO. A10725	REV A
SCALE N/A	SHEET 1 of 1	SIZE A