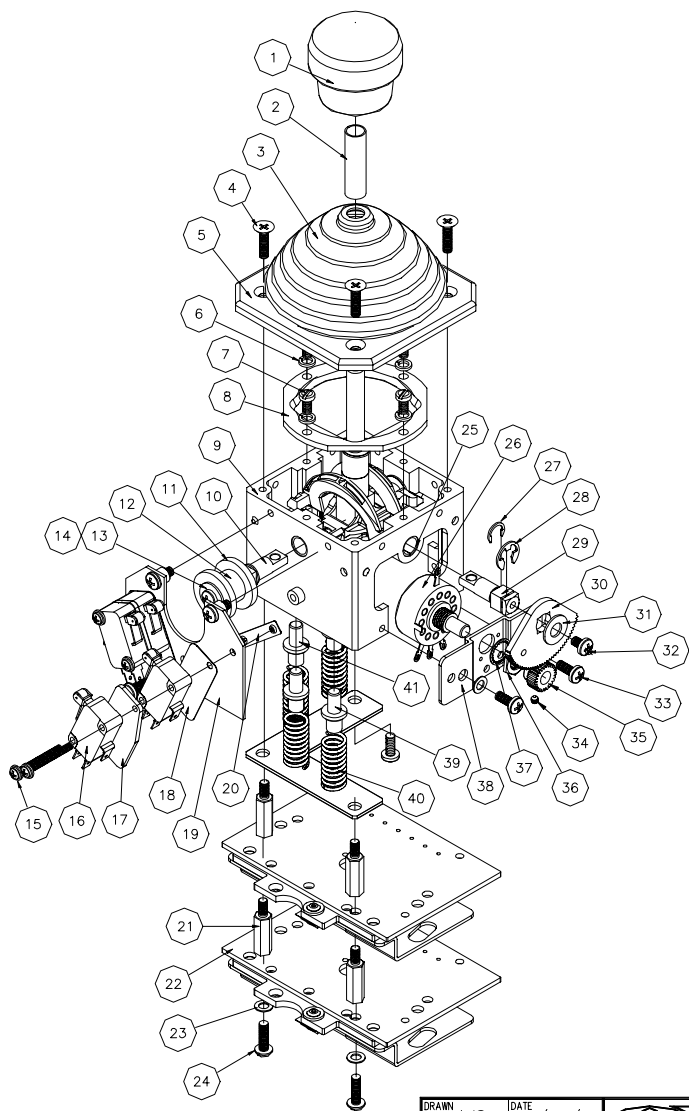


THIS DRAWING IS THE SOLE PROPERTY OF OEM CONTROLS INC., 10 CONTROLS DRIVE, SHELTON, CT 06484, USA. THIS DOCUMENT CONTAINS OEM PROPRIETARY INFORMATION. WRITTEN PERMISSION TO USE OR DISCLOSE ANY INFORMATION HEREIN MUST BE OBTAINED FROM OEM.

REVISIONS			
REV	DESCRIPTION	DATE	APPROVED
A	ORIGINAL	AJS 6/24/99	



Parts list			
NO.	PART#	DESCRIPTION	QTY
1	SEE BOM	HANDLE	1
2	A/111	SLEEVE	1
3	FF/8	BOOT	1
4	FF/12	SCREW	4
5	FF/7	FLANGE	1
6	C/123	WASHER	4
7	B/83	SCREW	4
8	SEE BOM	GATE	1
9	SEE BOM	CASTING	1
10	FF/17A	SHAFT	1
11	SEE BOM	CAM	2
12	C/136	SPACER	1
13	FF/78	WASHER	2
14	T/32	SCREW	2
15	SEE BOM	SCREW	4
16	SEE BOM	MICROSWITCH	4
17	C/129	INSULATOR	2
18	A/30	INSULATOR	2
19	FF/15	MICRO PLATE	2
20	V/18	TINNERMAN	2
21	A/20	STANDOFF	4
22	SEE BOM	PCB ASSY	2
23	T/70	WASHER	2
24	T/51	SCREW	2
25	FF/2	BUSHING	4
26	SEE BOM	POT	1
27	A/120	"C" CLIP	2
28	C/137	"E" CLIP	2
29	FF/5B	SHAFT	1
30	C/101	DRIVE GEAR	2
31	FF/24	WASHER	2
32	T/31	SCREW	2
33	T/30	SCREW	2
34	C/274	SET SCREW	2
35	C/102	SLAVE GEAR	1
36	BB/47	POT NUT	1
37	BB/46	POT WASHER	1
38	C/368	POT PLATE	1
39	FF/9	FOLLOWER 10.4	3
40	FF/10	SPRING	4
39	FF/9A	FOLLOWER 10.2	1

DRAWN BY	AJS	DATE	6/24/99
CHECKED			
APVD ENG.			
APVD DESN			
APVD SALES			
PROJECTION:			

OEM Controls, Inc. 10 Controls Drive - Shelton, CT 06484
Phone: (203) 929-8431 Fax: (203) 929-7546

**JS6 ASSEMBLY
& PARTS LIST**

PART NO.	DWG NO. A6535	REV. A
SCALE NTS	SHEET 1 of 1	SIZE A