

HFP4 HALL EFFECT FOOT PEDAL



OEM Controls, the industrial leader of electro hydraulics controllers is pleased to introduce its latest Hall Effect technology foot pedal controller utilizing the state-of-the-art microprocessor technology. Available in both a unidirectional and bi-directional configuration. Some of the applications the HFP4 is used to control are electrohydraulically powered vehicles along with winch controls, break control, crane control and conveyer speed control.

- Factory programmable output: proportional within 0-10V, ratio metric or absolute configuration: Two additional digital outputs – programmable on/off position relative foot pedal travel.
- Short circuit and reverse polarity protection provided on board
- Operating temperature is -40C to +70C, Storage temperature is -40C to +90C
- Proven environmental coating protection
- Available with pendent wires or connector
- Factory adjustable pedal heights and angle deflection.
- EMC (EMI,RFI and Magnetic Field) Protection.



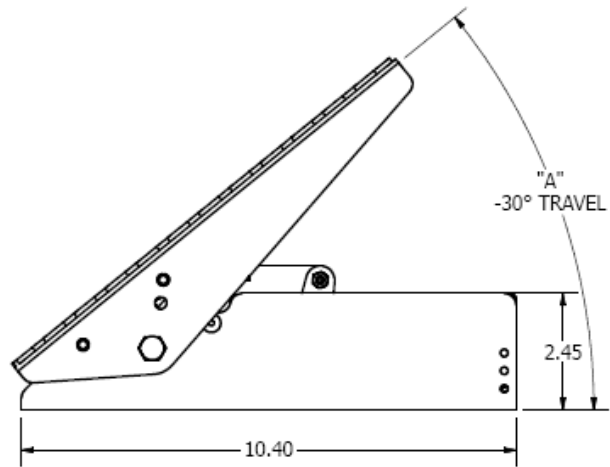
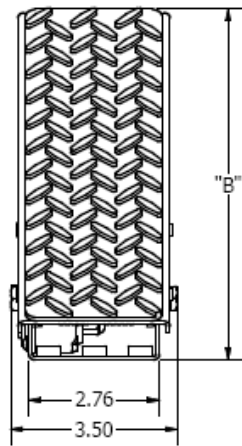
Power Supply Voltage Range 9-30V

Proportional Load Sourcing or Sinking, high impedance load
Factory programmable within 0-10V
Ratio metric or absolute configuration

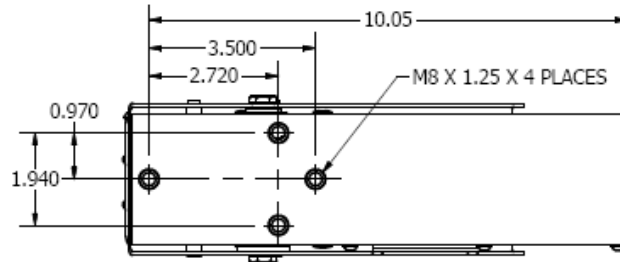
Digital outputs 2 @ 3 amps total

Standard Features Factory Programmable proportional output curve on digital turn on/off
Proportional output can be ratio metric or absolute
Proportional output resolution is 10 bit – 800 counts total

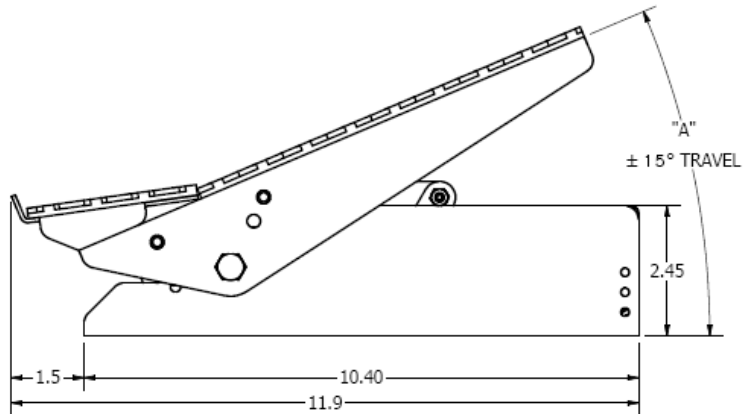
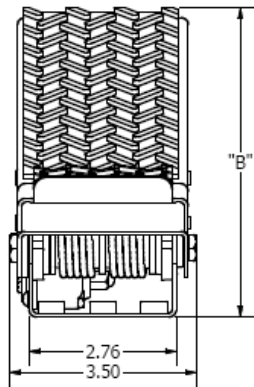
Special Capabilities CAN Bus configuration (CAN Open , J1939 , Customer Specific)
UFO Electronics
(PWM or PDC output PCB with trim pot adjustments)



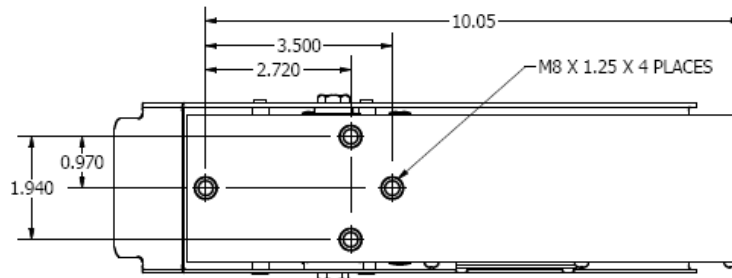
"A" NULL POSITION	"B" NULL POSITION
30°	6.50
38°	7.28
45°	7.88



Unidirectional Installation



"A" NULL POSITION	"B" NULL POSITION
15°	4.86
23°	5.82
30°	6.59



Bi-Directional Installation

WARNING: It is the purchaser's responsibility to determine the suitability of any OEM Controls product for an intended application, and to insure that it is installed and guarded in accordance with all federal, state, local and private safety and health regulations, codes and standards.

Due to the unlimited variety of machines, vehicles and equipment on which our controls are used, and the numerous standards which are frequently the subject of varying interpretation, it is impossible for OEM Controls personnel to provide expert advice regarding the suitability of a given controller for a specific application. The flexibility of our products allows us to offer thousands of custom configurations. We can advise you of the various features that are available and you can examine models to see what meets your needs. We believe our customers' engineering departments should be the qualified experts in their own product field. If the product will be used in a safety critical application, the customer must undertake appropriate testing and evaluation to prevent injury to the ultimate user.

Should you have any questions or if any of the above warning is unclear, please contact OEM Controls at 10 Controls Drive, Shelton, CT 06484, FAX: 203.929.3867, TEL: 203.929.8431.