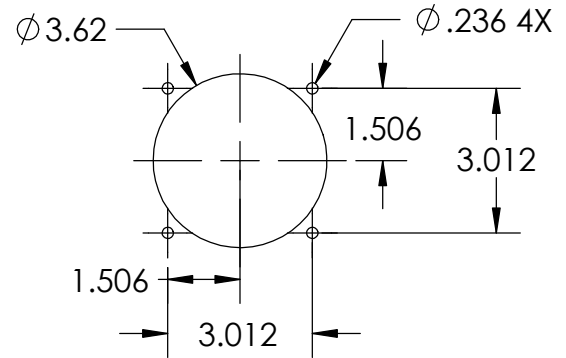
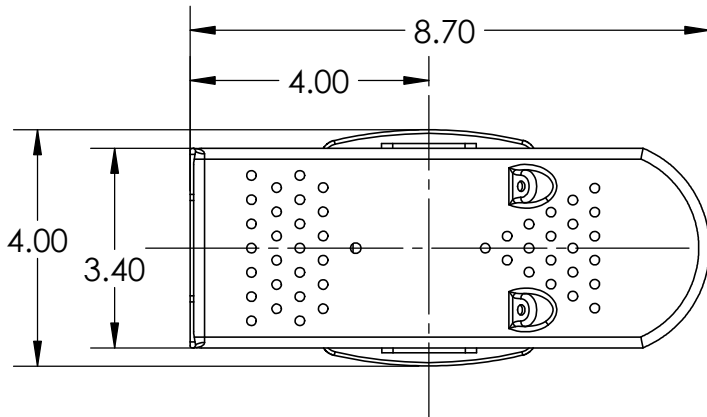
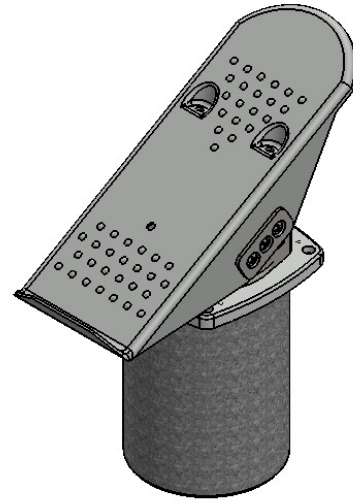
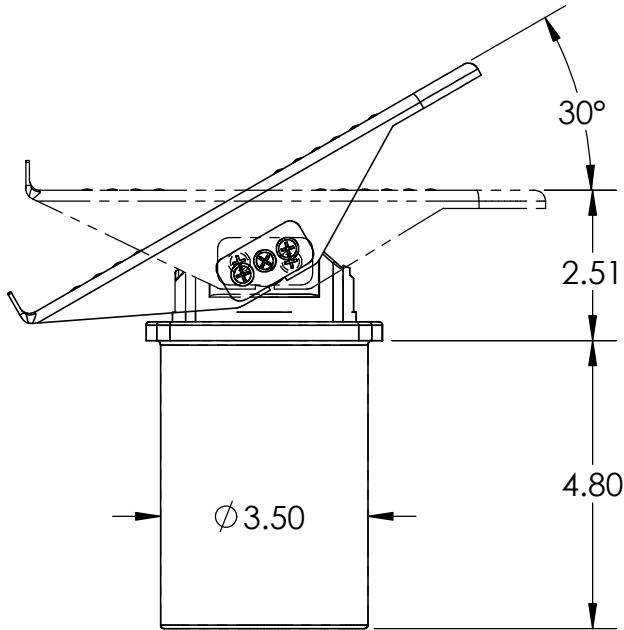


THIS DRAWING IS THE SOLE PROPERTY OF OEM CONTROLS INC., 10 CONTROLS DRIVE, SHELTON, CT 06484, USA. THIS DOCUMENT CONTAINS OEM PROPRIETARY INFORMATION. WRITTEN PERMISSION TO USE OR DISCLOSE ANY INFORMATION HEREIN MUST BE OBTAINED FROM OEM.

REVISIONS

REV	DESCRIPTION	DATE	APPROVED
A	ORIGINAL	KTS*9/19/03	
B	CHNGED TO NEW DRAWING FORMAT PER ECN # 3728	RHJ*1/16/14	



MOUNTING DIMENSIONS

OPTIONS:

- HALL EFFECT
- 5V SUPPLY
- 0.5V TO 4.5V
- CONTACT CENTER POSITION
- POTENTIOMETER
- UNIDIRECTIONAL 30° TRAVEL
- HEAL / TOE ±15° TRAVEL
- 68mm, 75mm & 103mm (ENCLOSURE)

SPEC:

- 8 MILLION MECH OPERATION
- OPERATING TEMP -40°C TO +60°C
- STORAGE TEMP -50°C TO +80°C
- IP65

MATERIAL: *

FINISH: *

UNLESS OTHERWISE SPECIFIED

DRAWN BY KTS DATE 9/19/03



10 Controls Drive - Shelton, CT 06484
Phone: (203)929-8431 Fax: (203)929-7546

TOLERANCE		ANGLES	
.X	±.1	X	±1°
.XX	±.01	.X	±.5°
.XXX	±.005		
.XXXX	±.0010		

CHECKED

APVD ENG.

APVD DESN.

APVD SALES

FP3 FOOT PEDAL CONTROLLER
STANDARD DIMENSIONS &
SPECIFICATIONS

DIMENSIONAL UNITS: INCHES

UNDIMENSIONED RADII: *

BREAK ALL SHARP CORNERS, EDGES & BURRS

PROJECTION:

PART NO.	FP3	DWG NO.	A15082	REV.	B
SCALE	N/A	SHEET	1 OF 1	SIZE	A