

4

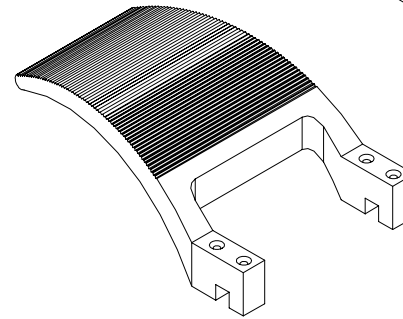
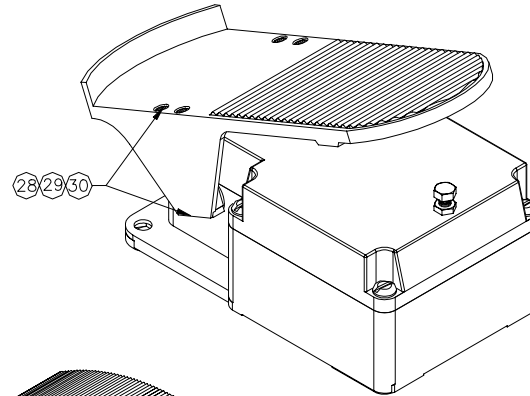
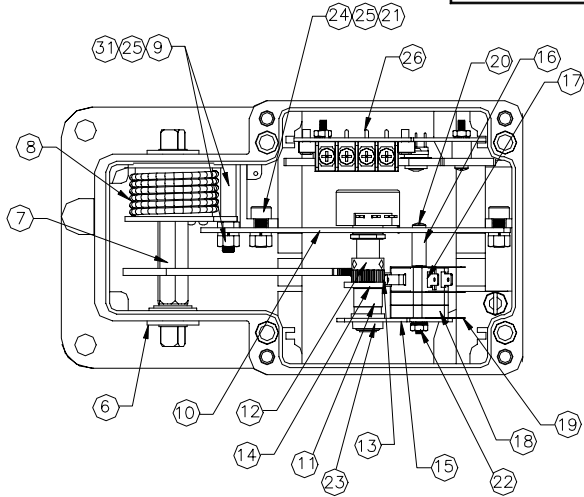
3

2

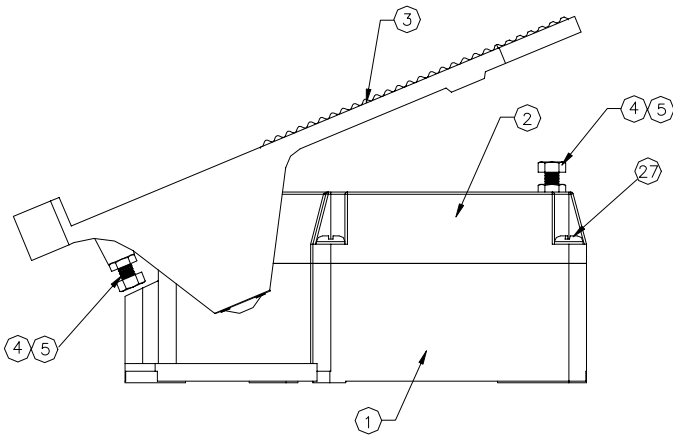
DWG. NO. **A10593** SHT. 1 REV. **A**

THIS DRAWING IS THE SOLE PROPERTY OF OEM CONTROLS, INC., 10 CONTROLS DRIVE, SHELTON, CT 06484, USA. THIS DOCUMENT CONTAINS OEM PROPRIETARY INFORMATION. WRITTEN PERMISSION TO USE OR DISCLOSE ANY INFORMATION HEREIN MUST BE OBTAINED FROM OEM.

ZONE		REV	DESCRIPTION	DATE	APPROVED
-	A	ORIGINAL	PER ECN #5015	AJS 4/24/00	




OPTIONAL TREDLE



NO	QTY	PART#	DESCRIPTION
1	1	D/58	CASTING
2	1	D/11A	COVER
3	1	D/10	FOOT PEDAL
4	2	D/25	NUT
5	2	D/26	BOLT
6	2	D/53	FOOTPEDAL BEARING
7	1	D/14	SHAFT - OPERATING
8	1	D/6	SPRING RETURN
9	1	CC/43	SPRING RETURN BOLT
10	1	D/8	CENTER POT PLATE
11	1	D/36	SLEEVE
12	1	D/27	POT COUPLING
13	1	D/28	SLAVE GEAR
14	1	SEE BOM	CAM
15	1	D/31	CAM PLATE
16	2	D/4	SPACER
17	1	V/12	MICROSWITCH
18	2	A/257	BLACK INSULATOR
19	3	A/30	INSULATOR
20	2	B/86	SCREW
21	3	T/38	NUT
22	2	EPEH/454	NUT
23	1	A/618	BUSHING
24	2	D/17	SCREW
25	3	C/237	WASHER
26	1	SEE BOM	PCB ASSEMBLY
27	4	D/23	SCREW
28	4	D/5	SCREW
29	4	D/123	WASHER
30	2	D/16	PLATE

UNLESS OTHERWISE SPECIFIED		DRAWN BY	DATE
		AJS	4/24/00
TOLERANCE	ANGLES	CHECKED	
.X ±.1	X ±1°		
.XX ±.01	X ±.5°		
.XXX ±.005		APVD	
.XXX ±.010		ENG.	
		APVD	
		DESIGN	
DIMENSIONAL UNITS: INCHES		APVD	
UNDIMENSIONED RADII: 0		SALES	
BREAK ALL SHARP CORNERS, EDGES & BURRS.		PROJECTION:	


 10 Controls Drive - Shelton, CT 06484
 Phone (203) 929-8431 Fax: (203) 929-7546

PARTS LIST FOR FOOT PEDAL

PART NO. _____ DWG NO. **A10593** REV. **A**
 SCALE **N/A** SHEET **1 of 1** SIZE **A**

4

3

2

1