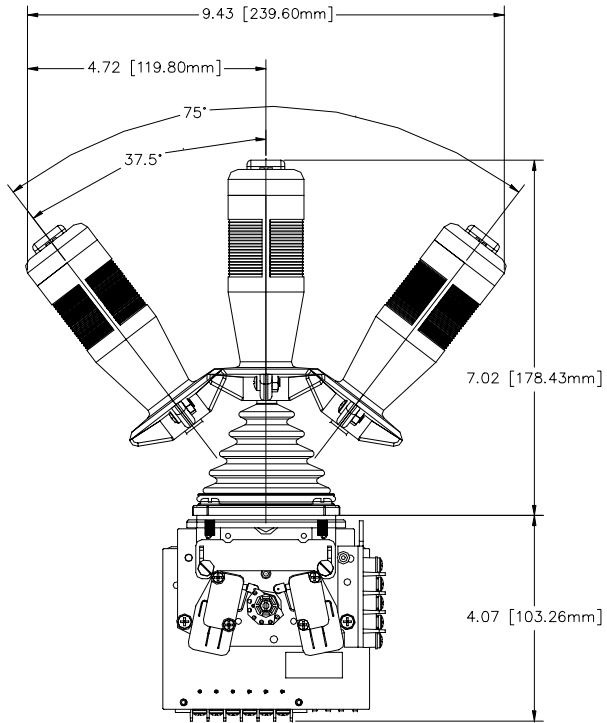


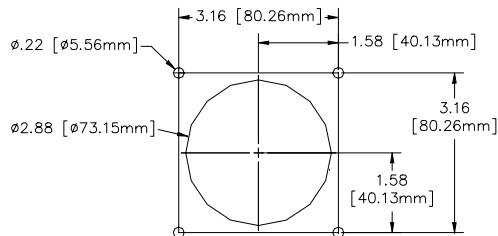
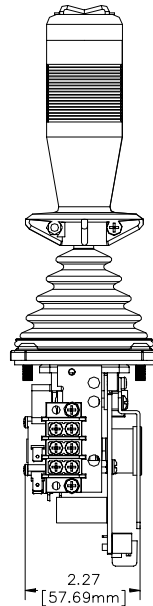
THIS DRAWING IS THE SOLE PROPERTY OF OEM CONTROLS INC., 10 CONTROLS DRIVE, SHELTON, CT 06484, USA. THIS DOCUMENT CONTAINS OEM PROPRIETARY INFORMATION. WRITTEN PERMISSION TO USE OR DISCLOSE ANY INFORMATION HEREIN MUST BE OBTAINED FROM OEM.

REVISIONS

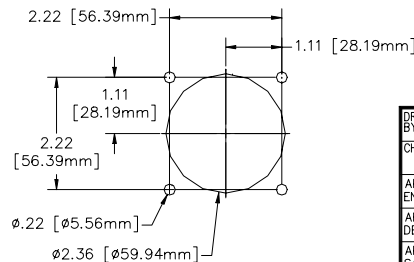
REV	DESCRIPTION	DATE	APPROVED
A	ORIGINAL	AJS 4/5/00	



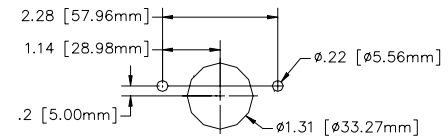
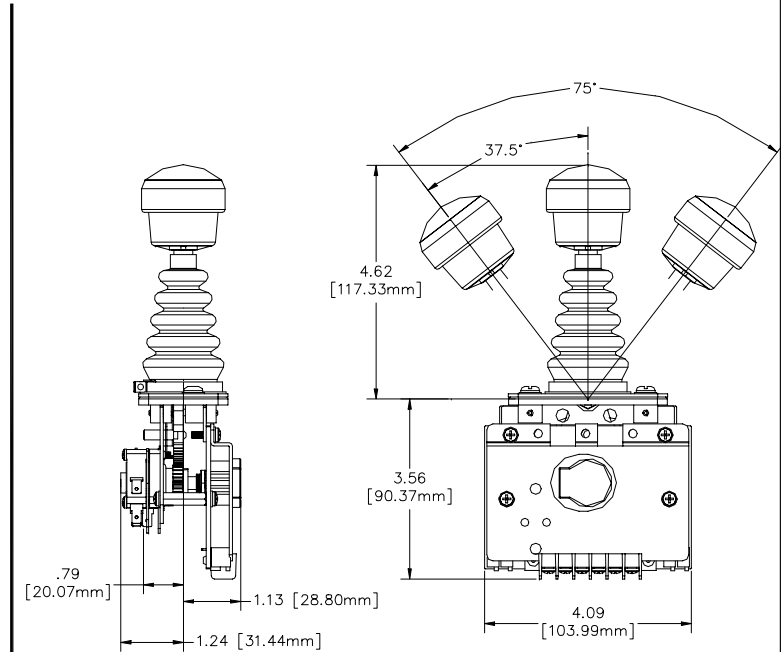
MS4 W/ RG CONTROLLER



MS4 W/STANDARD
RG FLANGE HANDLE
MOUNTING DIMENSIONS



MS4 W/JS5 FLANGE
MOUNTING DIMENSIONS



MS4 MOUNTING DIMENSIONS

DRAWN BY	AJS	DATE	4/5/00
CHECKED			
APVD ENG.			
APVD DESN			
APVD SALES			
PROJECTION:			

OEM Controls, Inc. 10 Controls Drive - Shelton, CT 06484
Phone: (203) 929-8431 Fax: (203) 929-7546

DIMENSION DWG. FOR
MS4 CONTROLLERS

PART NO.	DWG NO.	A5213	REV A
SCALE	SHEET		SIZE