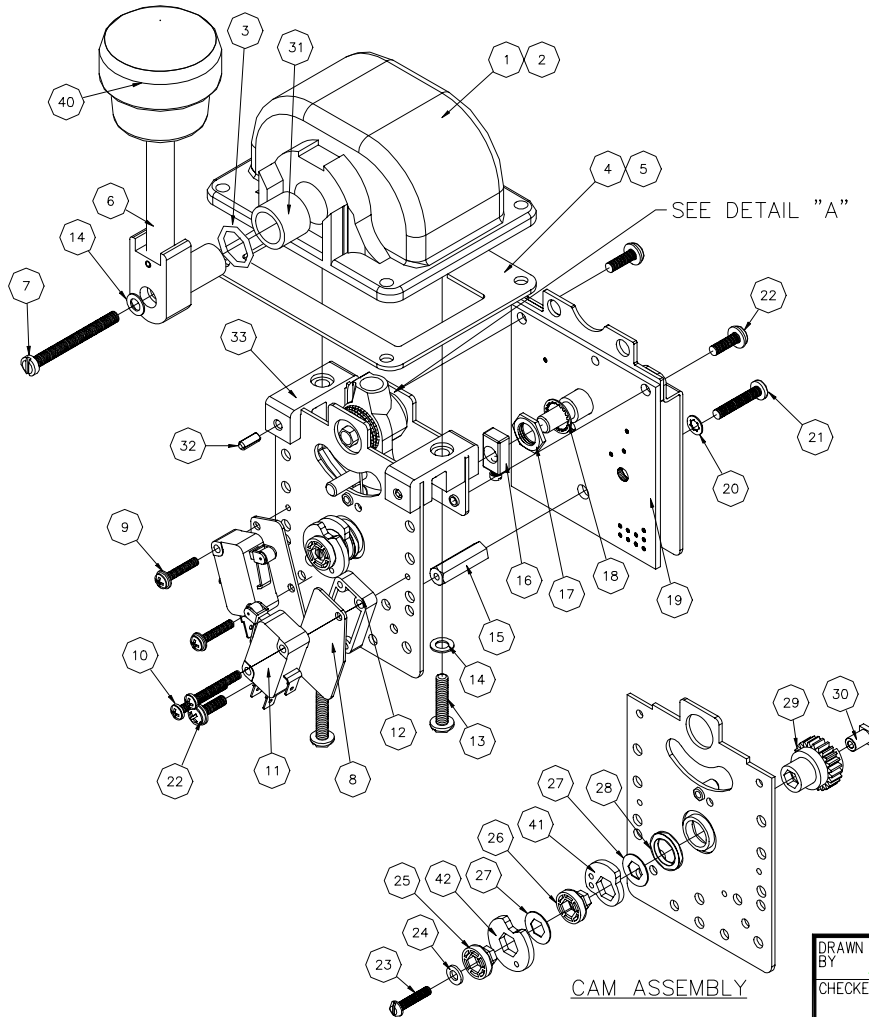


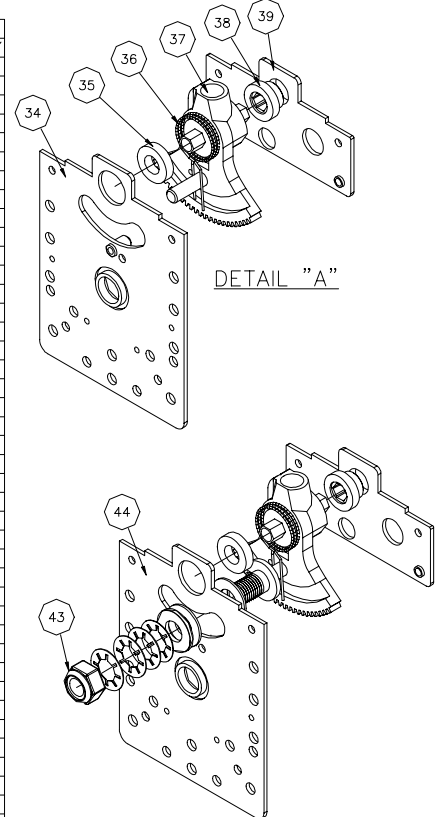
THIS DRAWING IS THE SOLE PROPERTY OF OEM CONTROLS INC., 10 CONTROLS DRIVE, SHELTON, CT 06484, USA. THIS DOCUMENT CONTAINS OEM PROPRIETARY INFORMATION. WRITTEN PERMISSION TO USE OR DISCLOSE ANY INFORMATION HEREIN MUST BE OBTAINED FROM OEM.

REVISIONS

REV	DESCRIPTION	DATE	APPROVED
A	ORIGINAL	AJS 4/27/00	



PARTS LIST			
NO	PART#	DESCRIPTION	QTY
1	A/318	MS5 CASTING	1
2	A/224	MS2 CASTING	1
3	A/103	"O" RING	1
4	A/281	MS5 GASKET	1
5	A/305	MS2 GASKET	1
6	SEE BOM	HANDLE	1
7	A/107	SCREW	1
8	C/127	INSULATOR	2
9	A/74	SCREW	2
10	A/76	SCREW	2
11	V/11	MICROSWITCH	2
12	A/257	INSULATOR	1
13	A/359	SCREW	2
14	T/70	WASHER	2
15	A/131	STANDOFF	1
16	MSA1	POT COUPLING	1
17	BB/47	POT NUT	1
18	BB/46	POT WASHER	1
19	SEE BOM	PCB ASSEMBLY	1
20	C/151	WASHER	1
21	A/267	SCREW	1
22	A/252	SCREW	3
23	A/82	SCREW	1
24	A/93	WASHER	1
25	A/47	CAM COUPLING	1
26	A/286	COUPLING	1
27	A/48	CAM RETAINER	2
28	A/127	CAM SPACER	1
29	A/46	GEAR SLAVE	1
30	A/287	CAM NUT	1
31	A/279	BUSHING	1
32	A/51	PIN	4
33	A/52	RETAINER	2
34	A/579	PLATE FOR SPRING RETURN	1
35	A/106	SPACER (MS5 ONLY)	1
36	MSA27	SPRING RETURN	1
37	A/273	GEAR	1
38	A/618	BUSHING	1
39	A/282	PLATE	1
40	SEE BOM	HANDLE	1
41	SEE BOM	CAM	1
42	SEE BOM	CAM	1
43	MSA11	FRICION HOLD ASSY	1
44	A/283	FRICION HOLD PLATE	1



FRICION HOLD ASSEMBLY

DRAWN BY: AJS	DATE: 4/27/00
CHECKED:	
APVD ENG.	
APVD DESN	
APVD SALES	
PROJECTION:	

10 Controls Drive - Shelton, CT 06484
Phone: (203) 929-8431 Fax: (203) 929-7546

STANDARD PARTS LIST FOR MS2 & MS5 CONTROLLER

PART NO.	DWG NO. A9835	REV A
SCALE N/A	SHEET 1 of 1	SIZE A