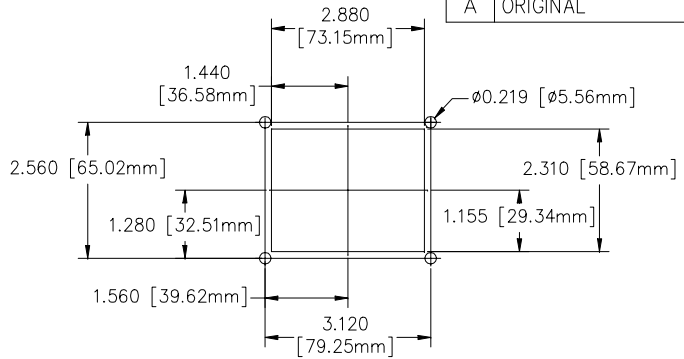
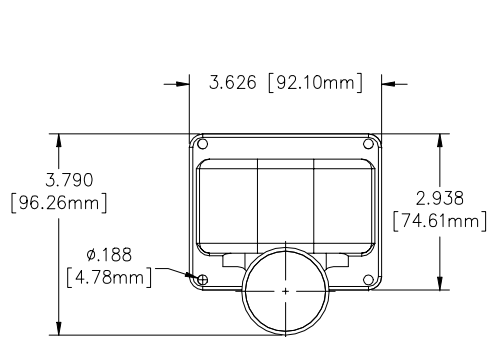


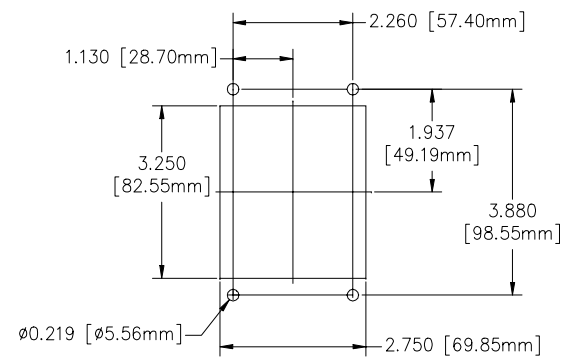
THIS DRAWING IS THE SOLE PROPERTY OF OEM CONTROLS INC., 10 CONTROLS DRIVE, SHELTON, CT 06484, USA. THIS DOCUMENT CONTAINS OEM PROPRIETARY INFORMATION. WRITTEN PERMISSION TO USE OR DISCLOSE ANY INFORMATION HEREIN MUST BE OBTAINED FROM OEM.

REVISIONS

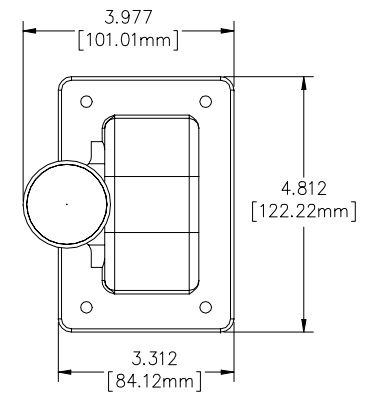
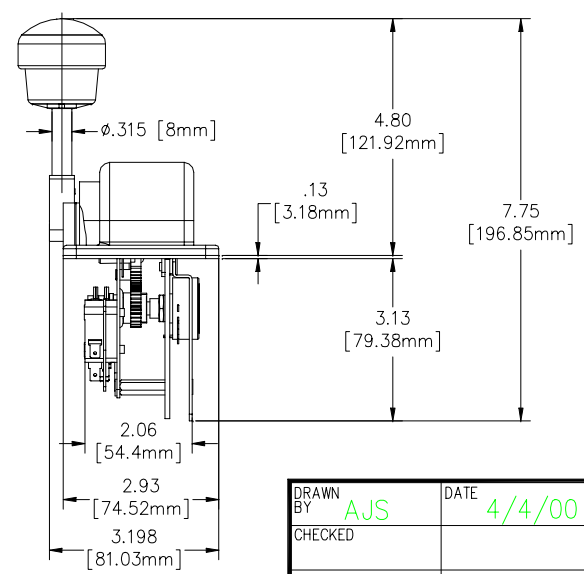
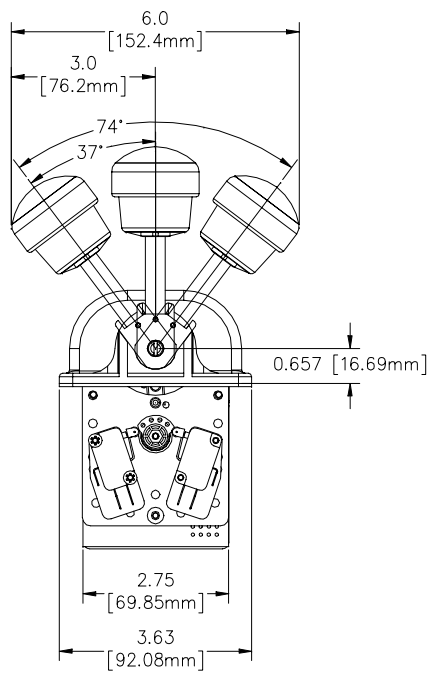
REV	DESCRIPTION	DATE	APPROVED
A	ORIGINAL	ECN #7754	AJS 4/4/00



MS5 MOUNTING DIMENSIONS



MS2 MOUNTING DIMENSIONS



NOTES:  
1. MS2 & MS5 SAME DIMENSIONS EXCEPT FOR WIDTH, LENGTH & HOLE DISTANCES ON CASTING.

DRAWN BY	AJS	DATE	4/4/00
CHECKED			
APVD ENG.			
APVD DESN			
APVD SALES			
PROJECTION:			

**OEM** Controls, Inc. 10 Controls Drive - Shelton, CT 06484  
Phone: (203) 929-8431 Fax: (203) 929-7546

**DIMENSIONAL DWG. FOR MS2 & MS5 CONTROLLERS**

PART NO. <b>MS2 &amp; MS5</b>	DWG NO. <b>A5214</b>	REV <b>A</b>
SCALE <b>N/A</b>	SHEET <b>1 of 1</b>	SIZE <b>A</b>