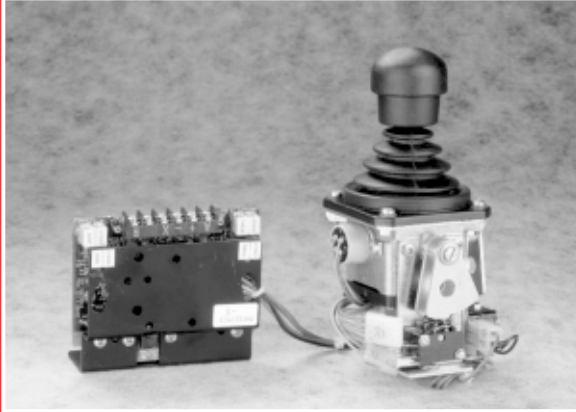


Dual-Axis Controller– Type JS5



The JS5 type joystick is the most compact controller OEM offers. This small, two axis joystick is capable of operating two direct-drive or two gear-driven potentiometers. This allows us to offer the complete line of UFO electronic circuit boards for the precise dual axis simultaneous control of electrohydraulic proportional valves. In order to take advantage of the JS5's size, the circuit boards are supplied connected by wire leads that allow for remote mounting in the most compact mounting configuration.

Options:

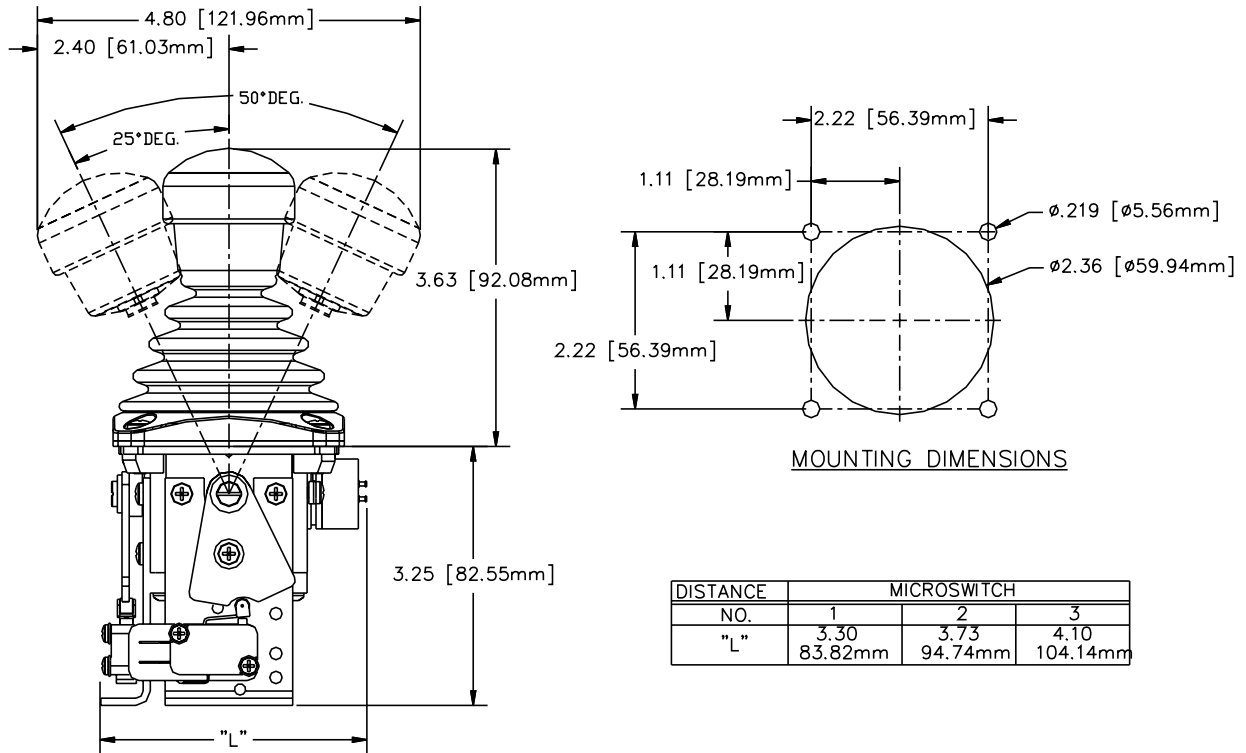
- **Spring Return to Center Handle Operation**
- **Cap or Round Ball Handle**
- **RG Handle**– see RG Handle section
- **Custom Gates Available**
- **Lift-to-Release Maintained Center Detent**
- **UFO electronics**– see UFO section
- **DigiSensor electronics for use with SuperFLEX product line**
- **Maintained in a B Direction**
- **Neoprene Weather-Tight Boot Construction**
- **Adjustable Cams Available upon Request**



Available with UFO electronic module for precise electrohydraulic valve control

Type JS5 with UFO

Approximate Overall Dimensions



Technical Data:

- **Mechanical Life:** > 1 million cycles
- **Operating Temperature:** -40° to +70°C
- **Number of detent positions:** 1-5
- **Max. Number of Microswitches per Axis:** **without potentiometer; 6**
with potentiometer; 3
- **Handle Deflection:** 25° (50° total)
- **Total Potentiometer Rotation:** Direct-Drive: 50°; Gear-Driven: 300°
- **Contact Rating:** Type V3 SPDT 10amp @ 24VDC or 125VAC
- **Degree of Protection:** IP54 above panel

WARNING: It is the purchaser's responsibility to determine the suitability of any OEM Controls product for an intended application, and to insure that it is installed and guarded in accordance with all federal, state, local and private safety and health regulations, codes and standards.

Due to the unlimited variety of machines, vehicles and equipment on which our controls are used, and the numerous standards which are frequently the subject of varying interpretation, it is impossible for OEM Controls personnel to provide expert advice regarding the suitability of a given controller for a specific application. The flexibility of our products allows us to offer thousands of custom configurations. We can advise you of the various features that are available and you can examine models to see what meets your needs. We believe our customers' engineering departments should be the qualified experts in their own product field. If the product will be used in a safety critical application, the customer must undertake appropriate testing and evaluation to prevent injury to the ultimate user.

Should you have any questions or if any of the above warning is unclear, please contact OEM Controls at 10 Controls Drive, Shelton, CT 06484, FAX: 203.929.3867, TEL: 203.929.8431.



10 Controls Drive • Shelton, CT 06484

Phone: 203.929.8431

Telefax: 203.929.3867

Internet: www.oemcontrols.com