



CONTROLS INC.

New Product Bulletin

HMS7 Single Axis Contactless Controller

*OEM Controls, the industry leader of electromechanical joystick controls and electronic control systems introduces its family of **Hall effect technology controllers**. Utilizing state-of-the-art microprocessor technology, OEM Controls has developed the field replaceable contactless electronic control module.*



- Factory programmable output: proportional within 0-10V, ratiometric or absolute configuration; Two additional digital outputs– programmable on/off position relative to handle travel.
- Short circuit and reverse polarity protection provided on board.
- Auto-calibration capability
- Operating temperature is -40C to +70C, storage temperature is -40C to +90C.
- Full CE rating for EMC (EMI ,RFI and Magnetic Field) protection
- Proven environmental coating protection
- Choice of pigtail and connector or terminal strip
- Simple, compact and rugged mechanical controller designs
- Field replaceable electronic modules

Power Supply Voltage Range

- 7 - 30V

Proportional Load

- Sourcing or sinking, high impedance load
- Factory programmable within 0-10V
- Ratiometric or absolute configuration

Digital Outputs

- 2 @ 4 amps total

Standard Features

- Programmable proportional output curve and digital turn on/off
- Proportional output can be ratiometric or absolute
- Proportional output resolution is 10 bit = 800 counts total
- Redundant center off contact (where necessary)

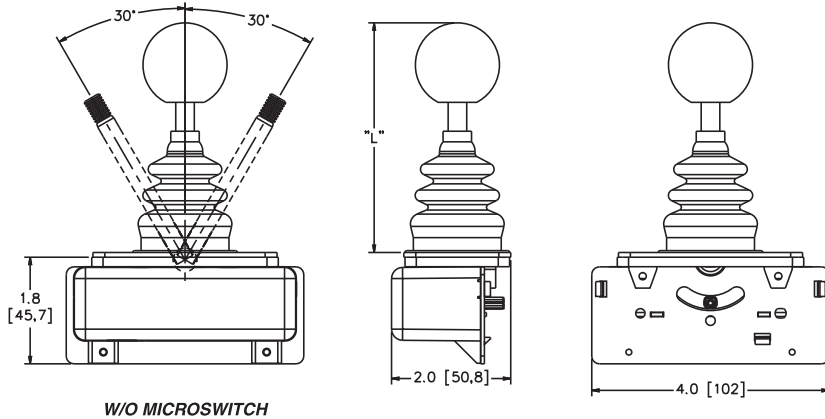
Optional Features

- RG and MG handles (limited)
- Friction hold
- Maintained center detent
- Unidirectional or bidirectional

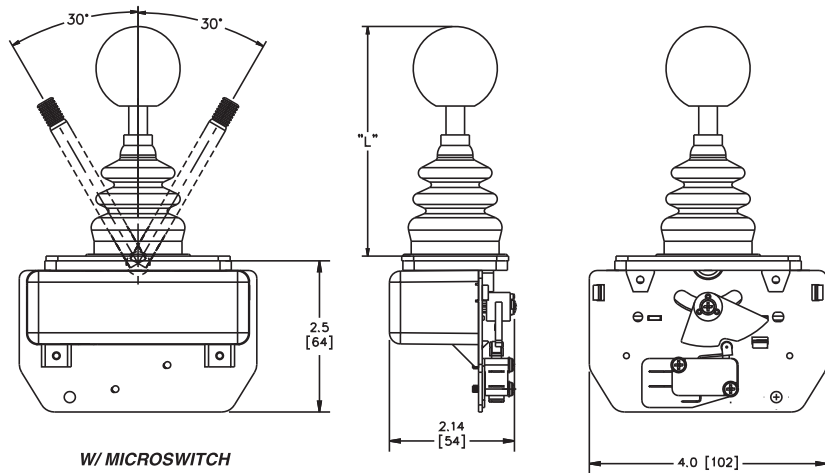
Special Capabilities

- CAN Bus (OCI-4)
 - UFO (PWM output PCB with trimpot adjustments– PWM electronics are remote mounted; PDC output board with trimpot adjustments– direct mounted)
-

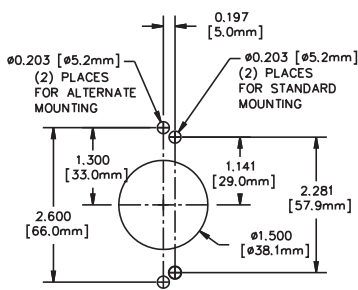
HMS7 Single Axis Contactless Controller



W/O MICROSWITCH

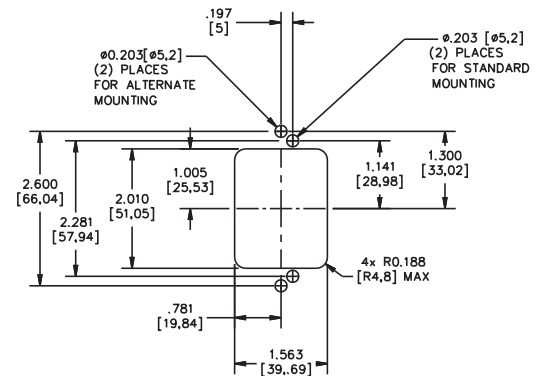


W/ MICROSWITCH



MOUNTING MS4 HANDLE

HANDLE TYPE	SHAFT LENGTH	"L"
ROUND BALL	80mm	3.84" (97.45)
	100mm	4.62" (117.45)
RG FLANGELESS	63mm	5.12" (129.97)
	80mm	5.99" (146.97)
SOLID CAP	80mm	4.37" (111.04)
MAINT CENTER PALM	100mm	5.16" (131.04)
RG4E & RG5E	63mm	5.86" (148.92)
	80mm	6.53" (165.92)
RG FULL & REDUCED FLANGE	63mm	6.10" (154.96)
	80mm	6.77" (171.96)



CUTOUT FOR MOUNTING RG4E & RG5E HANDLE ONLY

⚠ WARNING: It is the purchaser's responsibility to determine the suitability of any OEM Controls product for an intended application, and to ensure that it is installed and guarded in accordance with all federal, state, local and private safety and health regulations, codes and standards.

Due to the unlimited variety of machines, vehicles and equipment on which our controls are used, and the numerous standards which are frequently the subject of varying interpretation, it is impossible for OEM Controls personnel to provide expert advice regarding the suitability of a given controller for a specific application. The flexibility of our products allows us to offer thousands of custom configurations. We can advise you of the various features that are available and you can examine models to see what meets your needs. We believe our customers' engineering departments should be the qualified experts in their own product field. If the product will be used in a safety critical application, the customer must undertake appropriate testing and evaluation to prevent injury to the ultimate user.

Should you have any questions or if any of the above warning is unclear, please contact OEM Controls at 10 Controls Drive, Shelton, CT 06484, FAX: 203.929.3867, TEL: 203.929.8431.