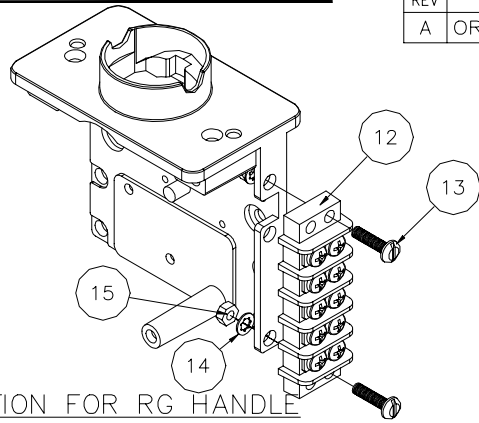
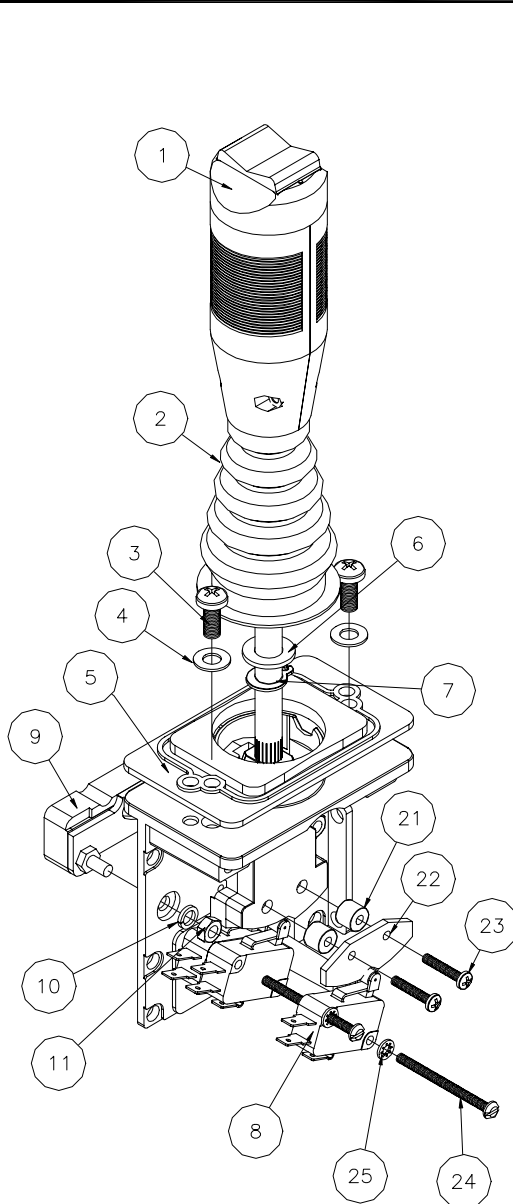


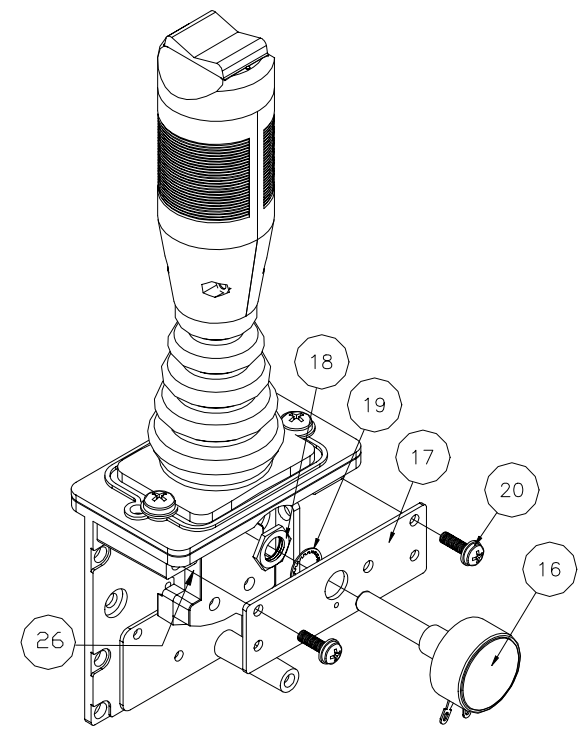
THIS DRAWING IS THE SOLE PROPERTY OF OEM CONTROLS INC., 10 CONTROLS DRIVE, SHELTON, CT 06484, USA. THIS DOCUMENT CONTAINS OEM PROPRIETARY INFORMATION. WRITTEN PERMISSION TO USE OR DISCLOSE ANY INFORMATION HEREIN MUST BE OBTAINED FROM OEM.

REVISIONS			
REV	DESCRIPTION	DATE	APPROVED
A	ORIGINAL	AJS 7/27/99	




OPTION FOR RG HANDLE

Parts list				
NO.	PART#	DESCRIPTION	QTY	
1	SEE BOM	HANDLE	1	
2	A/346	BOOT	1	
3	EPSU/947	SCREW	2	
4	A/97	WASHER	2	
5	A/560	GASKET FOR RG HANDLE	1	
6	A/360	WASHER	1	
7	A/119	TENSION CLIP	1	
8	V/11	MICROSWITCH	3	
9	A/260	H.D. SPRING RETURN	1	
10	C/123	WASHER	2	
11	T/69	NUT	2	
12	BB/67	TERMINAL BOARD	1	
13	BB/51	SCREW	2	
14	C/151	WASHER	2	
15	T/40	NUT	2	
16	SEE BOM	POT	1	
17	A/410	POT PLATE	1	
18	BB/47	NUT	1	
19	BB/46	WASHER	1	
20	A/252	SCREW	2	
21	A/556	SPACER	2	
22	SEE BOM	CAM	1	
23	A/629	SCREW	2	
24	B/85	SCREW	2	
25	A/94	WASHER	2	
26	A/411	SET SCREW	1	



DRAWN BY	AJS	DATE	7/27/99
CHECKED			
APVD ENG.			
APVD DESN			
APVD SALES			
PROJECTION:		SCALE	NTS



10 Controls Drive - Shelton, CT 06484
Phone: (203) 929-8431 Fax: (203) 929-7546

PARTS LIST FOR MS6 CONTROLLER

PART NO.	DWG NO. A9889	REV A
SCALE	SHEET 1 of 1	SIZE A