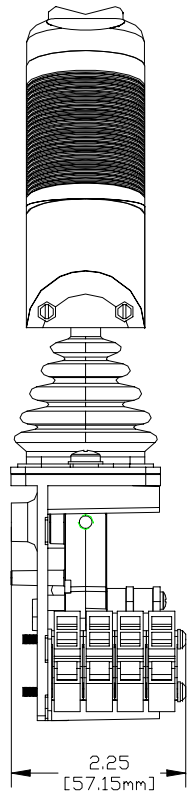


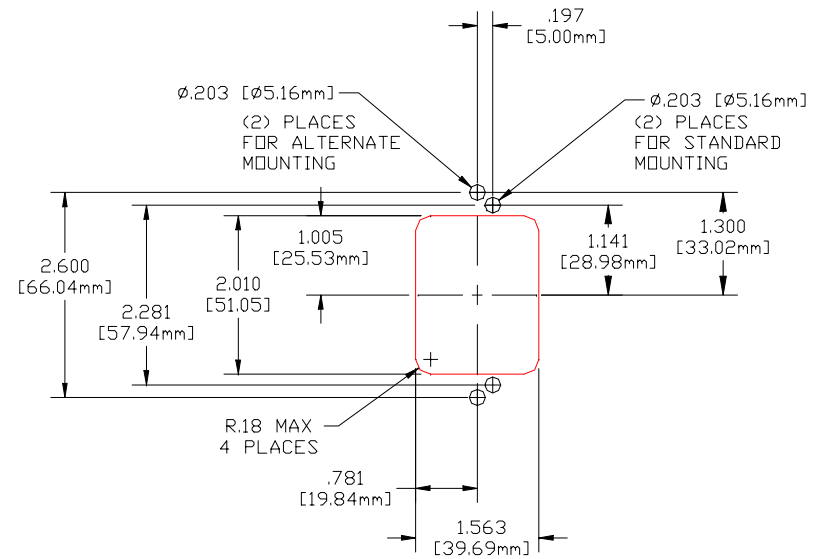
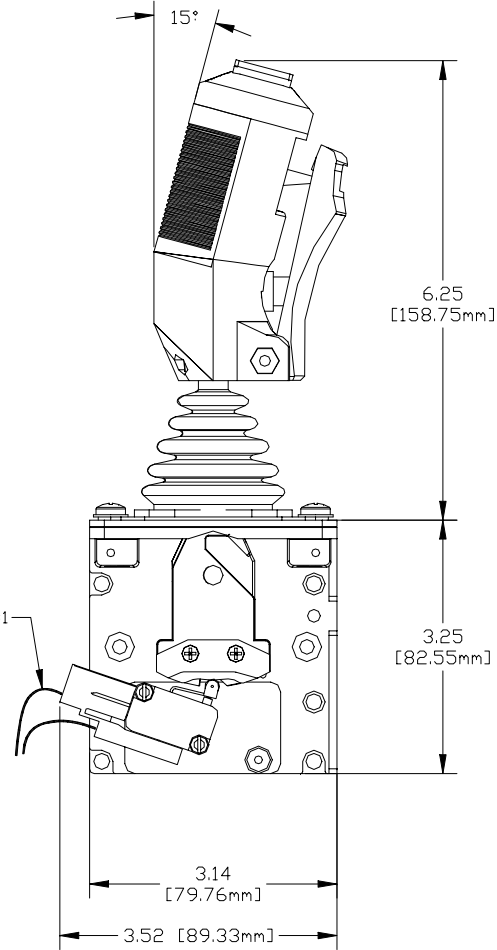
THIS DRAWING IS THE SOLE PROPERTY OF OEM CONTROLS INC., 10 CONTROLS DRIVE, SHELTON, CT 06484, USA. THIS DOCUMENT CONTAINS OEM PROPRIETARY INFORMATION. WRITTEN PERMISSION TO USE OR DISCLOSE ANY INFORMATION HEREIN MUST BE OBTAINED FROM OEM.

REVISIONS

REV	DESCRIPTION	DATE	APPROVED
A	ORIGINAL PER ECN #7849	AJS 6/5/00	



SEE NOTE #1



CUTOUT FOR MOUNTING
RG5E HANDLE

NOTE:

- ALLOW .50 [12.70mm] FOR WIRE HOOKUP
MS6 WITH RG5E HANDLE

DRAWN BY	AJS	DATE	6/5/00
CHECKED			
APVD ENG.			
APVD DESN			
APVD SALES			
PROJECTION:			



10 Controls Drive - Shelton, CT 06484
Phone: (203) 929-8431 Fax: (203) 929-7546

**DIMENSIONAL DRAWING
FOR MS6 CONTROLLER**

PART NO.	DWG NO. A10727	REV A
SCALE N/A	SHEET 1 of 1	SIZE A