

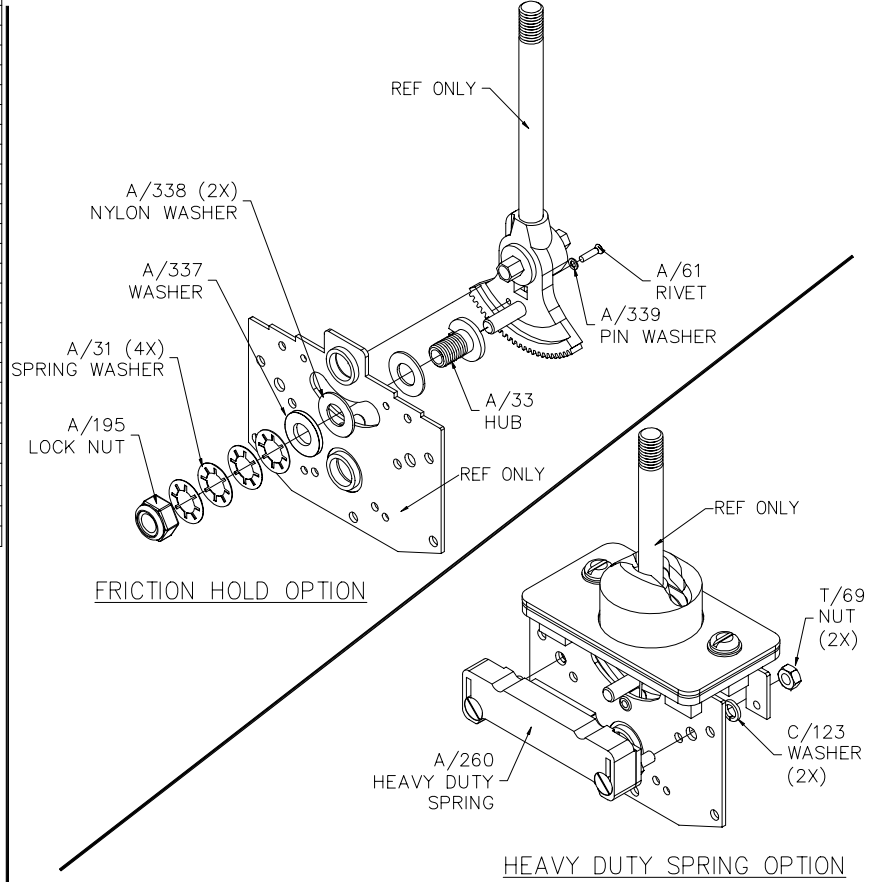
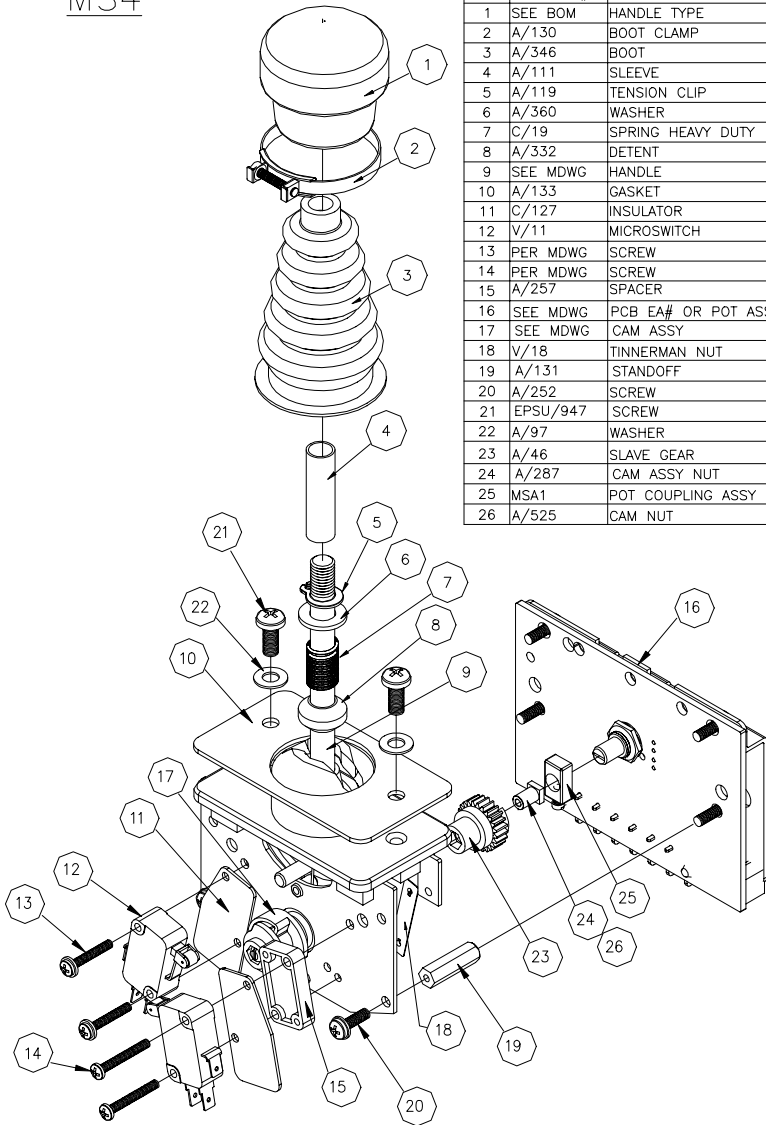
THIS DRAWING IS THE SOLE PROPERTY OF OEM CONTROLS INC., 10 CONTROLS DRIVE, SHELTON, CT 06484, USA. THIS DOCUMENT CONTAINS OEM PROPRIETARY INFORMATION. WRITTEN PERMISSION TO USE OR DISCLOSE ANY INFORMATION HEREIN MUST BE OBTAINED FROM OEM.

REVISIONS

REV	DESCRIPTION	DATE	APPROVED
A	CREATE 3D EXPLODED VIEW FOR SPARE PARTS PER ECN #6308	AJS 6/16/99	

MS4

Parts list			
NO	PART#	DESCRIPTION	QTY
1	SEE BOM	HANDLE TYPE	1
2	A/130	BOOT CLAMP	1
3	A/346	BOOT	1
4	A/111	SLEEVE	1
5	A/119	TENSION CLIP	1
6	A/360	WASHER	1
7	C/19	SPRING HEAVY DUTY	1
8	A/332	DETENT	1
9	SEE MDWG	HANDLE	1
10	A/133	GASKET	1
11	C/127	INSULATOR	2
12	V/11	MICROSWITCH	2
13	PER MDWG	SCREW	2
14	PER MDWG	SCREW	2
15	A/257	SPACER	1
16	SEE MDWG	PCB EA# OR POT ASSY ESA#	1
17	SEE MDWG	CAM ASSY	1
18	V/18	TINNERMAN NUT	1
19	A/131	STANDOFF	2
20	A/252	SCREW	6
21	EPSU/947	SCREW	2
22	A/97	WASHER	2
23	A/46	SLAVE GEAR	1
24	A/287	CAM ASSY NUT	1
25	MSA1	POT COUPLING ASSY	1
26	A/525	CAM NUT	1



DRAWN BY	AJS	DATE	6/16/99
CHECKED			
APVD ENG.			
APVD DESN			
APVD SALES			
PROJECTION:			

10 Controls Drive - Shelton, CT 06484
Phone: (203) 929-8431 Fax: (203) 929-7546

GENERIC MS4 RECOMMENDED
SPARE PARTS

PART NO.	DWG NO. A6538	REV A
SCALE	SHEET	SIZE