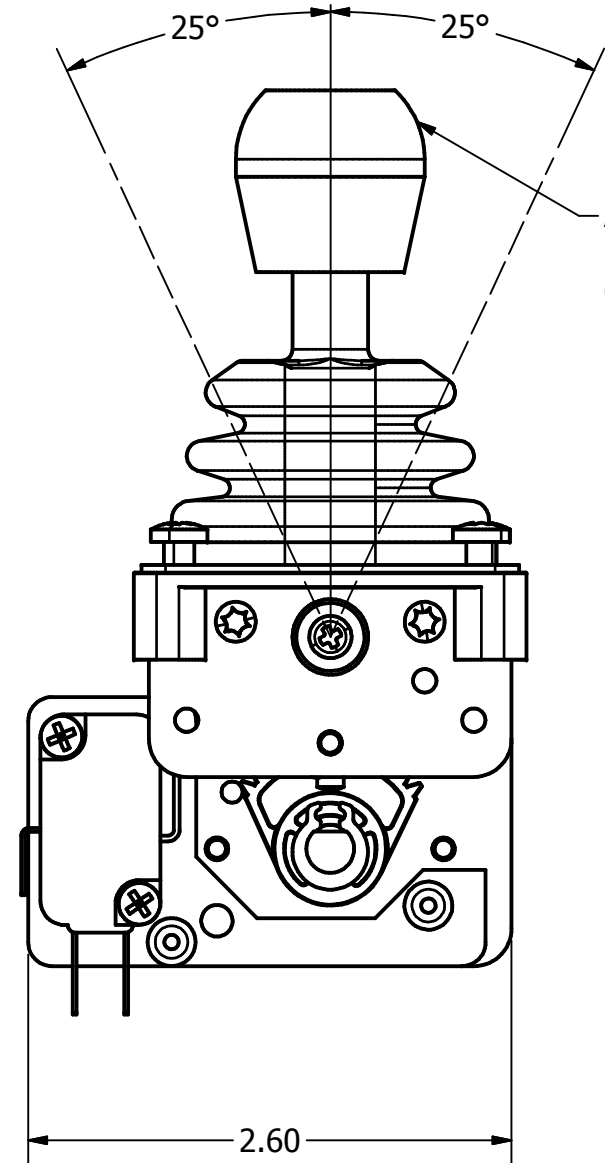
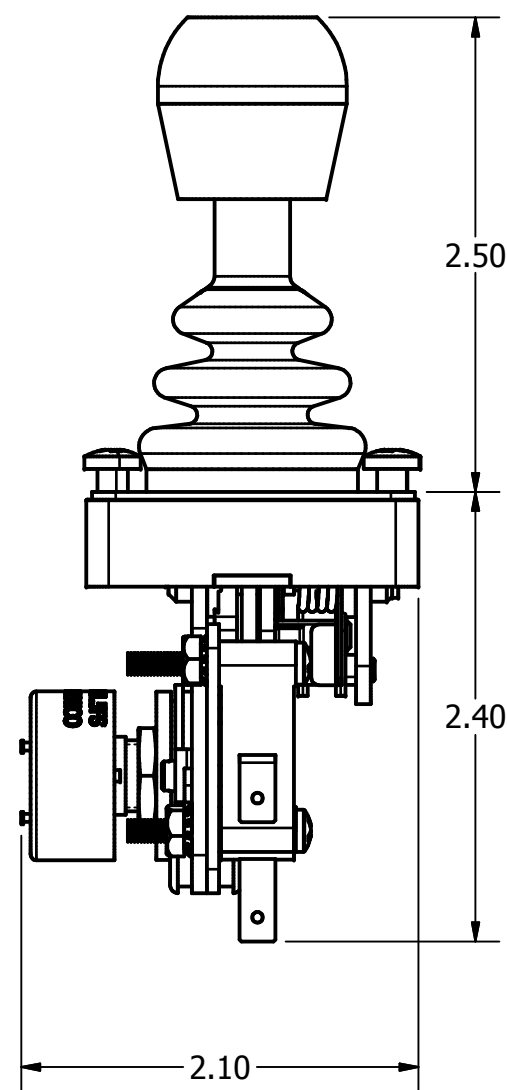
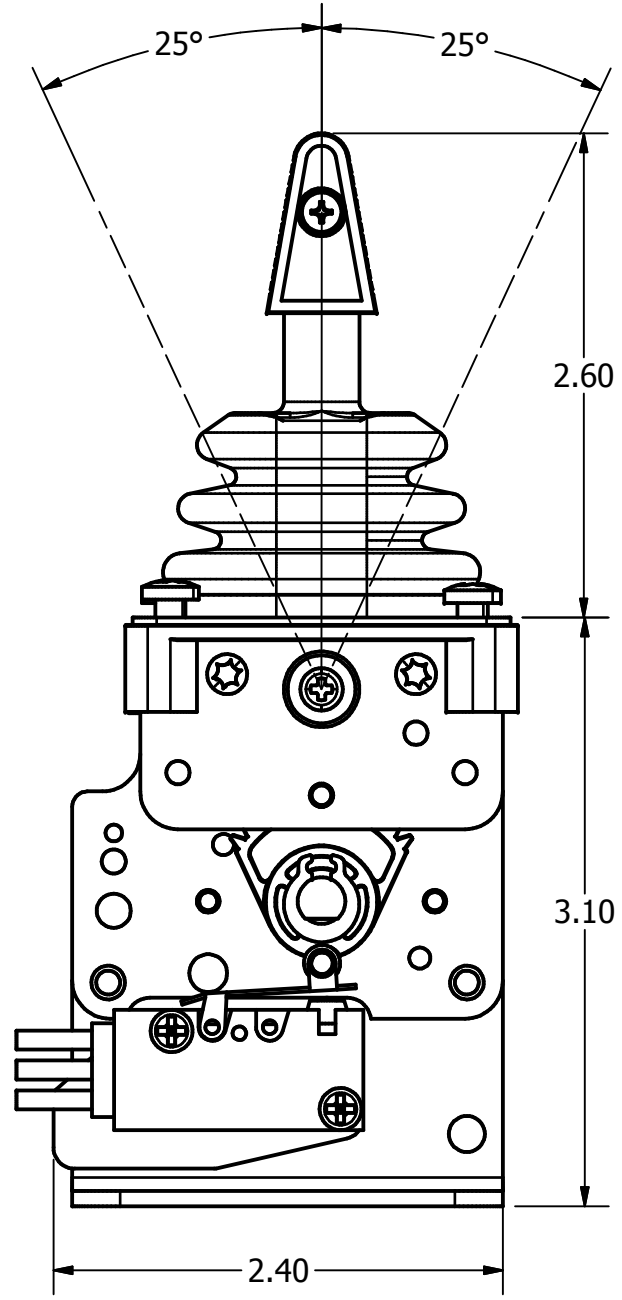
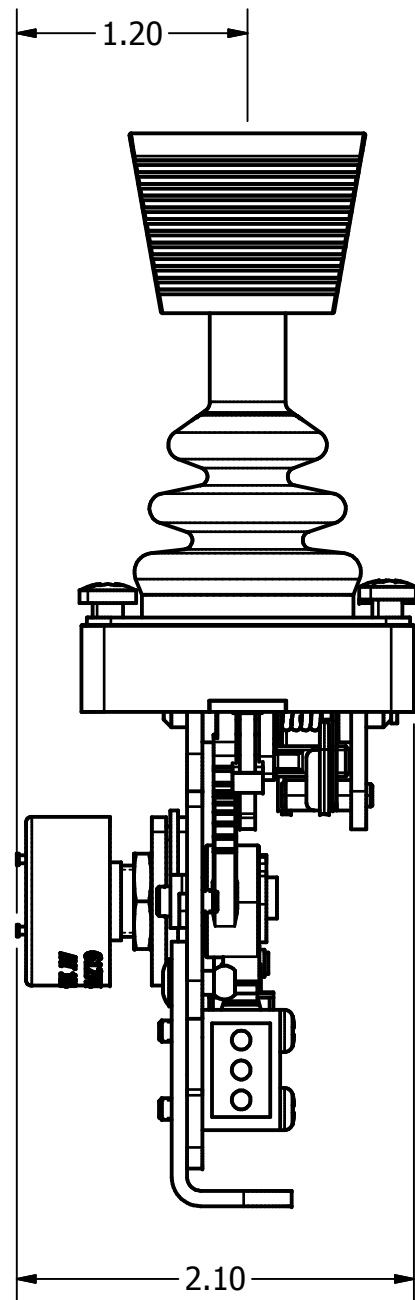
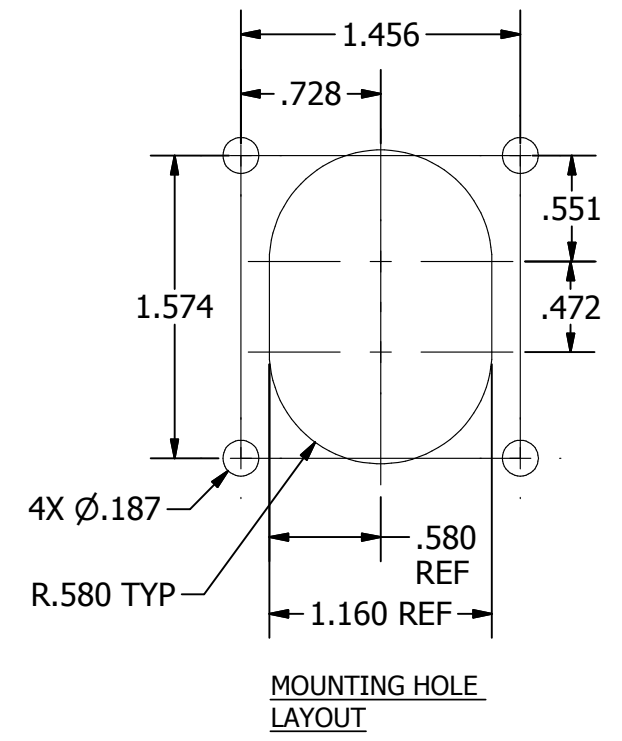


THIS DRAWING IS THE SOLE PROPERTY OF OEM CONTROLS INC., 10 CONTROLS DRIVE, SHELTON, CT 06484, USA. THIS DOCUMENT CONTAINS OEM PROPRIETARY INFORMATION. WRITTEN PERMISSION TO USE OR DISCLOSE ANY INFORMATION HEREIN MUST BE OBTAINED FROM OEM.

REVISIONS				
ZONE	REV	DESCRIPTION	DATE	APPROVED
A	ORIGINAL		RHJ*1/14/14	



AVAILABLE  
PUSH-DOWN  
CONTACT KNOB



- OPTIONS:**
- 1) HALL EFFECT  
5V SUPPLY  
0.5V - 4.5V OUT.
  - 2) FRICTION HOLD

- SPEC:**
- 5 MILLION MECH OPERATION
  - OPERATION TEMP -40°C TO +60°C
  - IP 65
  - CONTACT RATING:  
SEALED SWITCH IP67 3A

UNLESS OTHERWISE SPECIFIED		DRAWN BY	RHJ	DATE	1/14/14
TOLERANCE		CHECKED			
.X	±.1	APVD ENG.			
.XX	±.01	APVD DESN			
.XXX	±.005	APVD SALES			
.XXX	±.0010	PROJECTION:			
DIMENSIONAL UNITS: INCHES					
UNDIMENSIONED RADII: 0					
BREAK ALL SHARP CORNERS, EDGES & BURRS.					

**OEM** Controls, Inc. 10 Controls Drive - Shelton, CT 06484  
Phone: (203) 929-8431 Fax: (203) 929-7546

**DIMENSIONS AND MOUNTING FOR MS1 CONTROLLER**

PART NO.	DWG NO. B27348	REV A
SCALE NTS	SHEET 1	SIZE B