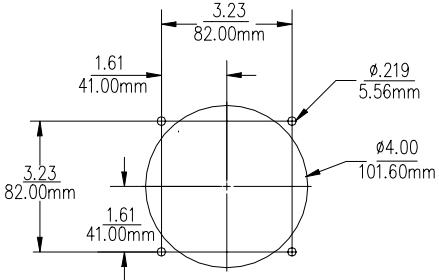
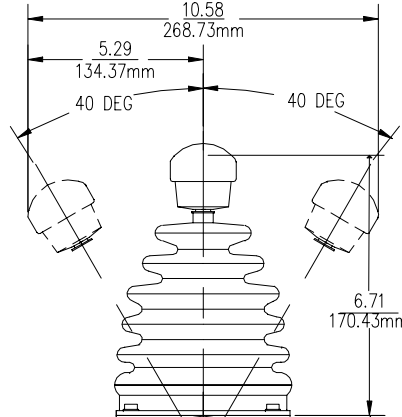
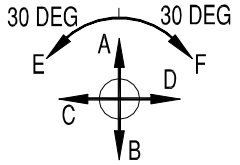


THIS DRAWING IS THE SOLE PROPERTY OF OEM CONTROLS INC., 10 CONTROLS DRIVE, SHELTON, CT 06484, USA. THIS DOCUMENT CONTAINS OEM PROPRIETARY INFORMATION. WRITTEN PERMISSION TO USE OR DISCLOSE ANY INFORMATION HEREIN MUST BE OBTAINED FROM OEM.

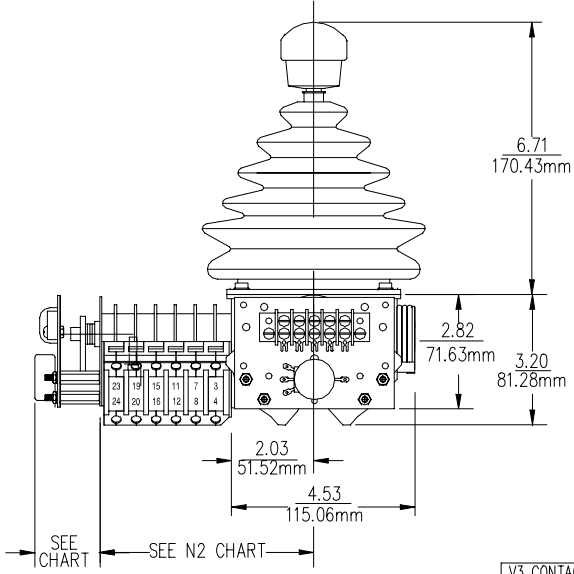
REVISIONS			
REV	DESCRIPTION	DATE	APPROVED
A	ORIGINAL	AJS 6/1/00	



MOUNTING DIMENSIONS

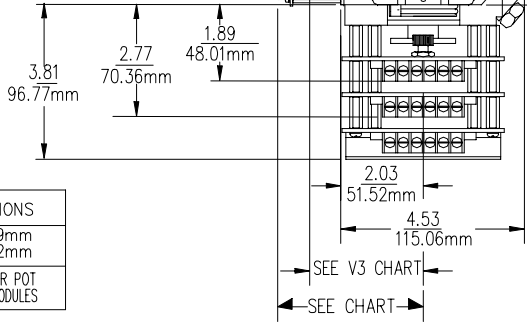


N2 CONTACTS # OF CONTACTS	DIMENSIONS
(1-2)	2.95 - 74.93mm
(3-4)	3.45 - 87.63mm
(5-6)	3.95 - 100.33mm
(7-8)	4.45 - 113.03mm
(9-10)	4.95 - 125.73mm
(11-12)	5.45 - 138.43mm
(13-14)	5.95 - 151.13mm
(15-16)	6.45 - 163.83mm
(17-18)	6.95 - 176.53mm
(19-20)	7.45 - 189.23mm
(21-22)	7.95 - 201.93mm
MAX CONTACTS WITH POT ADD 1.875 / 47.63mm FOR POT	
(23-24)	8.45 - 214.63mm



JS2 CONTROLLER WITH N2 CONTACTS

V3 CONTACTS # OF CONTACTS	DIMENSIONS
1-2	3.09-78.49mm
3-4(MAX)	3.56-90.42mm
ADD 1.875 / 47.63mm FOR POT ASSEMBLY - ELECTRONIC MODULES	



JS3 CONTROLLER

DRAWN BY	AJS	DATE	6/1/00
CHECKED			
APVD ENG.			
APVD DESN			
APVD SALES			
PROJECTION:			



DIMENSIONAL DWG FOR JS2 & JS3 CONTROLLERS

PART NO.	DWG NO.	A4954	REV	A
SCALE	SHEET		SIZE	