

Multiple-Axis Controllers—Types JS1 / JS4



The JS1/JS4 Controllers are compact, rugged and versatile. They can be used to actuate contacts and a potentiometer simultaneously in each axis to control speed and direction manually selectable, variable output. Some applications include stacker cranes, industrial type visual displays, and machine tools.

Options:

Auxiliary Switch (SPDT)

- **Push-Button Knob**
- **Two-Piece Cap Handle Raise and Lower Cap**
- **Two-Piece Cap Handle Push Down Cap**
- **Rocker-Grip Handle— JS4 only (see RG Handle section)**

Switching Gates

- **Standard, Cross, or Single Axis**

Handle Operation

- **Spring Return**
- **Detent Mechanism Variable Speed Control**

UFO Electronics

- **See UFO-9 section**

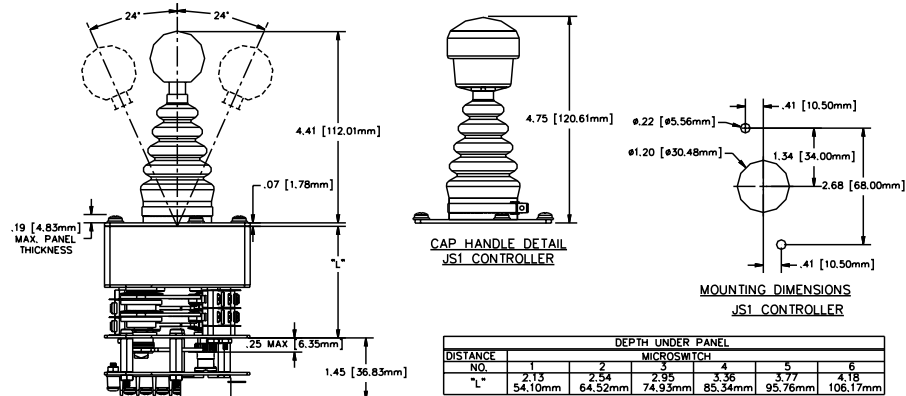


Available with UFO electronic module for precise electrohydraulic valve control

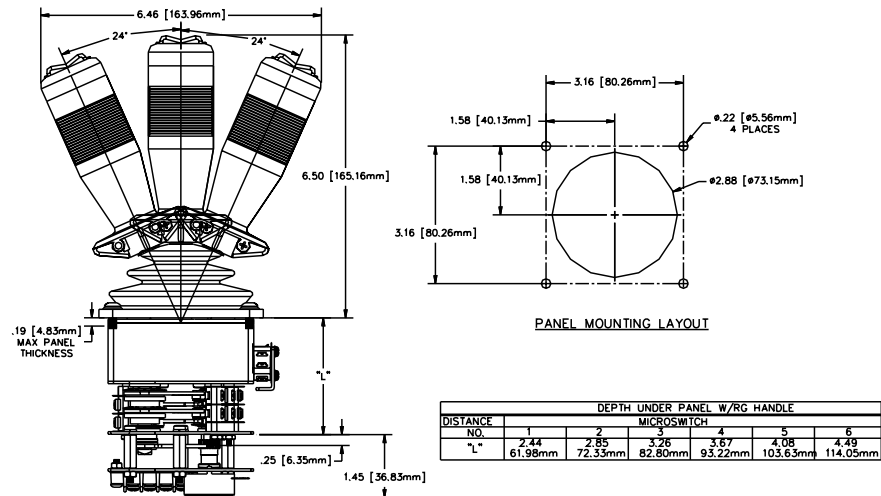
Type JS1 / JS4 with UFO

Approximate Overall Dimensions

JS1



JS4



Technical Data:

- **Mechanical Life:** JS1: > 1 million cycles; JS4: > 5 million cycles
- **Operating Temperature:** -40° to +70°C
- **Handle Deflection:** 24°
- **Number of Detent Positions:** 1-4
- **Total Contacts (each axis):** 6
- **Total Potentiometer Rotation:** 288°
- **Contact Rating:** Type V3 SPDT 10amp @ 24VDC or 125VAC
- **Degree of Protection:** IP54 above panel

WARNING: It is the purchaser's responsibility to determine the suitability of any OEM Controls product for an intended application, and to insure that it is installed and guarded in accordance with all federal, state, local and private safety and health regulations, codes and standards.

Due to the unlimited variety of machines, vehicles and equipment on which our controls are used, and the numerous standards which are frequently the subject of varying interpretation, it is impossible for OEM Controls personnel to provide expert advice regarding the suitability of a given controller for a specific application. The flexibility of our products allows us to offer thousands of custom configurations. We can advise you of the various features that are available and you can examine models to see what meets your needs. We believe our customers' engineering departments should be the qualified experts in their own product field. If the product will be used in a safety critical application, the customer must undertake appropriate testing and evaluation to prevent injury to the ultimate user.

Should you have any questions or if any of the above warning is unclear, please contact OEM Controls at 10 Controls Drive, Shelton, CT 06484, FAX: 203.929.3867, TEL: 203.929.8431.



10 Controls Drive • Shelton, CT 06484

Phone: 203.929.8431

Telefax: 203.929.3867

Internet: www.oemcontrols.com