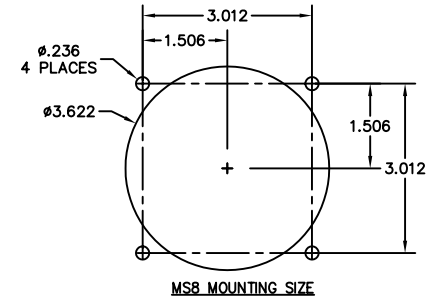
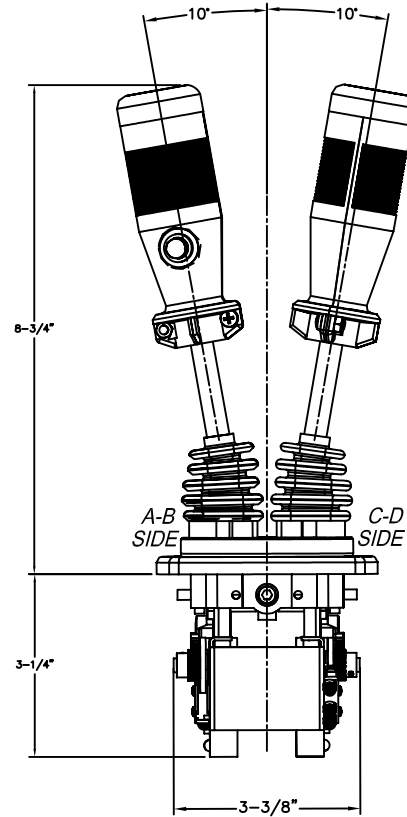
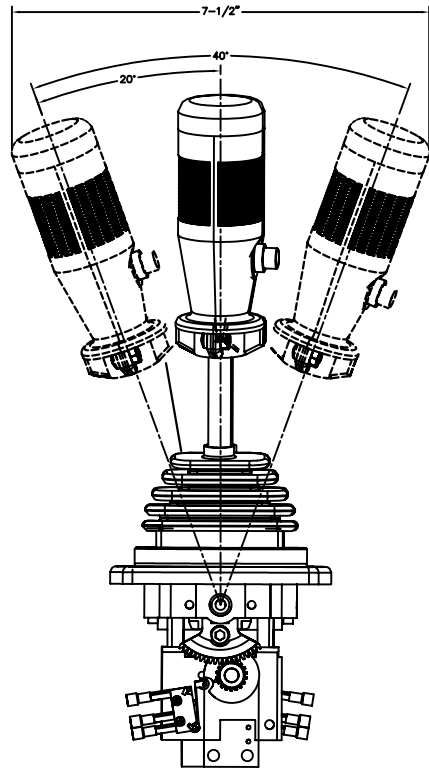
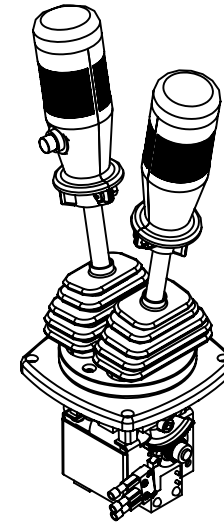
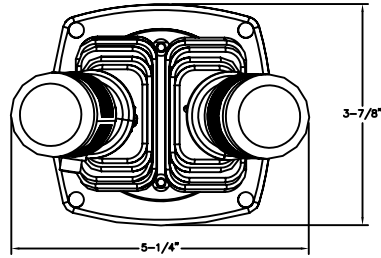


THIS DRAWING IS THE SOLE PROPERTY OF OEM CONTROLS INC., 10 CONTROLS DRIVE, SHELTON, CT 06484, USA. THIS DOCUMENT CONTAINS OEM PROPRIETARY INFORMATION. WRITTEN PERMISSION TO USE OR DISCLOSE ANY INFORMATION HEREIN MUST BE OBTAINED FROM OEM.

REVISIONS				
ZONE	REV	DESCRIPTION	DATE	APPROVED
-	A	ORIGINAL	AJS 1/18/05	



VIEW SHOWN W/O CONNECTOR & WIRES

VIEW SHOWN W/O CONNECTOR & WIRES

DRAWN BY	ASHARP	DATE	1/18/05
CHECKED			
APVD ENG.			
APVD DESN			
APVD SALES			
PROJECTION:		SCALE	NTS

	10 Controls Drive - Shelton, CT 06484 Phone: (203) 929-8431 Fax: (203) 929-7594	
	DMS8 CONTROLLER DIMENSIONS & ASSEMBLY	
PART NO.	DWG. NO. C16603	REV. A
SHEET 1 of 1		SIZE C