

CERT # US - 1892



The **MG Multi-Grip Handles** from OEM Controls are universal “grip” handles that can be customized with combinations of potentiometers, rocker switches and push buttons. These rugged handles are built to withstand exposure to harsh environmental conditions and to meet the exacting requirements of a wide variety of applications. OEM Controls emphasizes ergonomic factors in the MG Multi-Grip Handles, optimizing comfort, convenience, performance and serviceability features.

- **Feature packed**
- **Customized configurations**
- **Ergonomic designs**
- **Easy installation**
- **Rugged, weatherproof construction**
- **Highly serviceable**

### Contact Ratings and Specifications:

<b>Contact Ratings</b> . . . . .	5A 250 VAC or 2A 30 VDC
<b>Push Buttons</b> . . . . .	SPST
<b>Rocker Switch</b> . . . . .	SPST N.O. (maintained or momentary)
<b>Potentiometers</b> . . . . .	10 K Ohm (CT) or 5K Ohm (non-CT); .5 watt, max current 1 mA

**⚠ WARNING:** It is the purchaser's responsibility to determine the suitability of any OEM Controls product for an intended application, and to insure that it is installed and guarded in accordance with all federal, state, local and private safety and health regulations, codes and standards. Due to the unlimited variety of machines, vehicles and equipment on which our controls are used, and the numerous standards which are frequently the subject of varying interpretation, it is impossible for OEM Controls personnel to provide expert advice regarding the suitability of a given controller for a specific application. The flexibility of our products allows us to offer thousands of custom configurations. We can advise you of the various features that are available and you can examine models to see what meets your needs. We believe our customers' engineering departments should be the qualified experts in their own product field. If the product will be used in a safety critical application, the customer must undertake appropriate testing and evaluation to prevent injury to the ultimate user. Should you have any questions or if any of the above warning is unclear, please contact OEM Controls at 10 Controls Drive, Shelton, CT 06484, FAX: 203.929.3867, TEL: 203.929.8431.

## Rocker Grip Handle



The versatile Rocker Grip Handle can be custom engineered to fit your application. Pushbuttons and rocker switches, alone or in combination, save space and increase operator efficiency.

The "RG" Rocker Grip Handle, an available option on most OEM controllers, adds great versatility to single, dual and three-axis joystick controllers. It can also be used as a control handle on manual hydraulic valves with electric accessories or on any control lever which requires auxiliary switching.

The rocker actuated switches are type V3 contacts with a rating of 10 amps @ 24VDC or 125VAC. When ordering, specify the type of connection the switch requires. When the RG Handle is factory mounted on a joystick, it comes prewired to a terminal block. If ordered separately, please specify 8mm or 10 mm coupling, and adapter shaft if required.

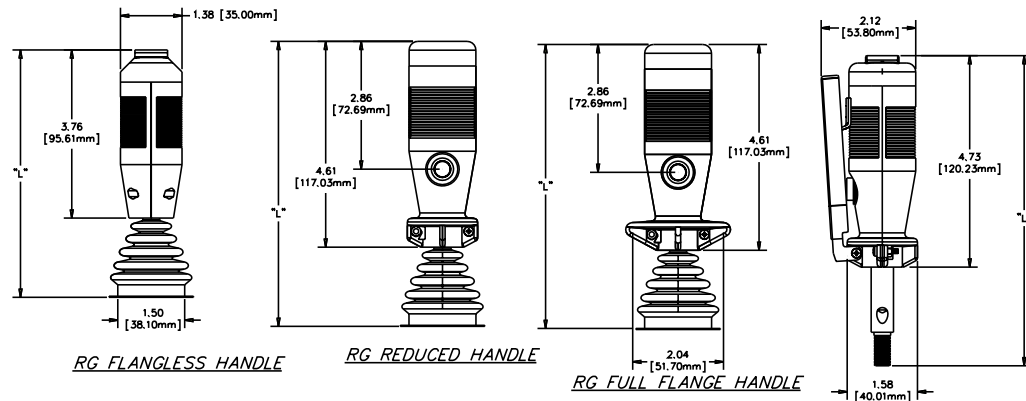
### Configurations:

<b>Model</b>	<b>Features</b>
--------------	-----------------

- |              |   |
|--------------|---|
| <b>RG-0</b>  | Rocker Grip Handle without switches   |
| <b>RG-1</b>  | 2 SPDT switches actuated by momentary rocker assembly on top of handle                  |
| <b>RG-2</b>  | Pushbutton mounted on top, SPST, momentary 10 amp, N.O.                                 |
| <b>RG-3</b>  | Pushbutton mounted on top, SPDT momentary 4 amp   |
| <b>RG-4</b>  | Pushbutton mounted on side, SPST momentary 10amp, N.O.                                  |
| <b>RG-4E</b> | Ergonomic pistol-grip design, pushbutton mounted on side, SPST momentary 10amp, N.O.    |
| <b>RG-5E</b> | Ergonomic pistol-grip design, momentary rockerswitch on top, pushbutton on side, 10 amp |
| <b>RG-5</b>  | Momentary rocker switch on top, 10 amp pushbutton on side                               |
| <b>RG-6</b>  | Pushbutton on top and pushbutton on side, 10amp, SPST momentary                         |
| <b>RG-7</b>  | Pushbutton on top, 4amp SPDT, pushbutton on side 10amp SPST momentary                   |
| <b>RG-8</b>  | Maintained SPDT pushbutton on top   |
| <b>RG-9</b>  | Maintained SPDT N.O. on top, SPST N.O. pushbutton on side                               |
| <b>RG-10</b> | Two pushbuttons on side, momentary  |
| <b>RG-11</b> | Two SPST N.O. pushbutton on side  |
| <b>RG-12</b> | Maintained rocker on top  |
| <b>RG-13</b> | Maintained rocker on top, SPST on side  |
| <b>RG-14</b> | Pushbutton palm handle on right side– EPFO/231  |
| <b>RG-15</b> | Pushbutton palm handle on left side– EPFO/288   |
| <b>RG-16</b> | Rocker on top, maintained pushbutton on side  |

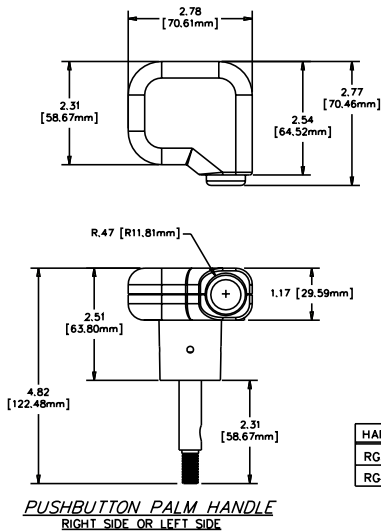
# RG Series Rocker Grip Handle

## Approximate Overall Dimensions



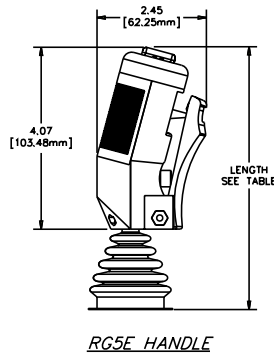
HANDLE	ABOVE PANEL HEIGHT "L" LENGTH	
	63mm	80mm
RG (FLANGLESS)	5.00 [127.00mm]	5.670 [144.02mm]
RG4 (REDUCE FLANGE)	5.85 [148.59mm]	6.51 [165.58mm]
RG4 (FULL FLANGE)	5.85 [148.59mm]	6.51 [165.58mm]
RG (REDUCED W/LEVER)	5.85 [148.59mm]	6.51 [165.58mm]
RG WITH ADAPTOR SHAFT	6.94 [176.33mm]	

**NOTES:**  
 1. IF ORDERED SEPARATELY FROM CONTROLLER, PLEASE SPECIFY 8mm .10mm COUPLING W/METAL LEVER ADAPTOR SHAFT OR IF NO COUPLING REQUIRED.



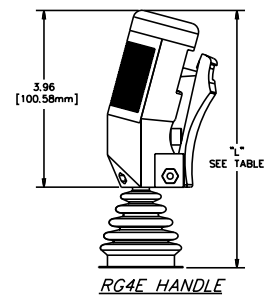
**PUSHBUTTON PALM HANDLE**  
 RIGHT SIDE OR LEFT SIDE

**NOTES:**  
 1. IF ORDERED SEPARATELY FROM CONTROLLER, PLEASE SPECIFY 8mm .10mm COUPLING OR ADAPTOR SHAFT OR IF NO COUPLING REQUIRED.  
 3. PUSHBUTTON PALM HANDLE CAN BE SUPPLIED FOR LEFT OR RIGHT HANDED ASSEMBLY.

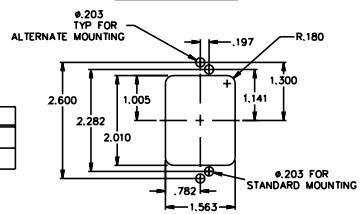


**RG5E HANDLE**

HANDLE	ABOVE PANEL HEIGHT "L"	
	63mm	80mm
RG5E	5.87 [149.10mm]	6.54 [166.12mm]
RG4E	5.76 [146.30mm]	6.43 [163.32mm]



**RG4E HANDLE**



**RG5E & RG4E MOUNTING DIMENSIONS**

**WARNING:** It is the purchaser's responsibility to determine the suitability of any OEM Controls product for an intended application, and to insure that it is installed and guarded in accordance with all federal, state, local and private safety and health regulations, codes and standards.

Due to the unlimited variety of machines, vehicles and equipment on which our controls are used, and the numerous standards which are frequently the subject of varying interpretation, it is impossible for OEM Controls personnel to provide expert advice regarding the suitability of a given controller for a specific application. The flexibility of our products allows us to offer thousands of custom configurations. We can advise you of the various features that are available and you can examine models to see what meets your needs. We believe our customers' engineering departments should be the qualified experts in their own product field. If the product will be used in a safety critical application, the customer must undertake appropriate testing and evaluation to prevent injury to the ultimate user.

Should you have any questions or if any of the above warning is unclear, please contact OEM Controls at 10 Controls Drive, Shelton, CT 06484, FAX: 203.929.3867, TEL: 203.929.8431.



10 Controls Drive • Shelton, CT 06484

Phone: 203.929.8431

Telefax: 203.929.3867

Internet: [www.oemcontrols.com](http://www.oemcontrols.com)