

DWG. NO. **A12807**

SHT. **1**

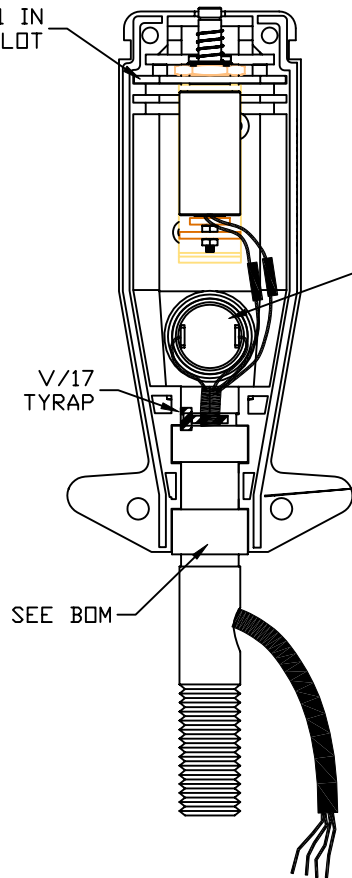
REV. **A**

THIS DRAWING IS THE SOLE PROPERTY OF OEM CONTROLS INC., 10 CONTROLS DRIVE, SHELTON, CT 06484, USA. THIS DOCUMENT CONTAINS OEM PROPRIETARY INFORMATION. WRITTEN PERMISSION TO USE OR DISCLOSE ANY INFORMATION HEREIN MUST BE OBTAINED FROM OEM.

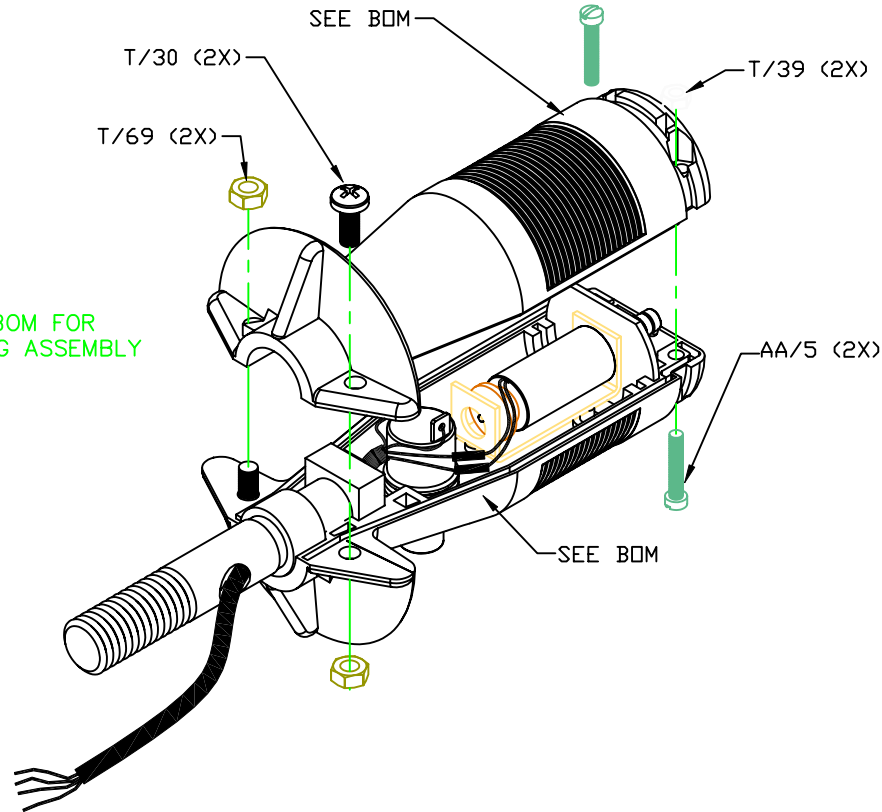
REVISIONS

| REV | DESCRIPTION | DATE | APPROVED |
|-----|-------------|--------------|----------|
| A | ORIGINAL | AJS 11/20/00 | |

MOUNT AA/61 IN TOP SLOT



SEE BOM FOR WIRING ASSEMBLY



| | | | |
|------------|------------|------|----------------|
| DRAWN BY | BAW | DATE | 4-11-01 |
| CHECKED BY | | | |
| APVD ENG. | | | |
| APVD DESN | | | |
| APVD SALES | | | |



10 Controls Drive - Shelton, CT 06484
Phone: (203) 929-8431 Fax: (203) 929-7546

**DIH-5
HANDLE ASSEMBLY**

| | | |
|-------------|--|---|
| PROJECTION: | | 1 |
|-------------|--|---|

| | |
|----------|------------|
| PART NO. | |
| SCALE | NTS |

| | |
|---------|---------------|
| DWG NO. | A12807 |
| SHEET | 1 of 1 |

| | |
|------|----------|
| REV | A |
| SIZE | A |